

ASSEMBLY

 **B2KON**

UNIMOD
Single Container
2,4m x 2m x 2,5m

Site WC



*Please scan the code
for the assembly
video.*

www.b2kon.com

UNIMOD

Single Container
2,4m x 2m x 2,5m

ASSEMBLY

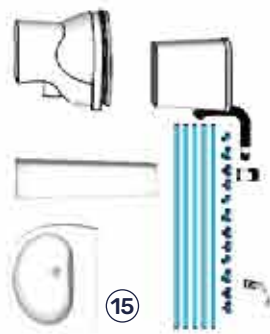
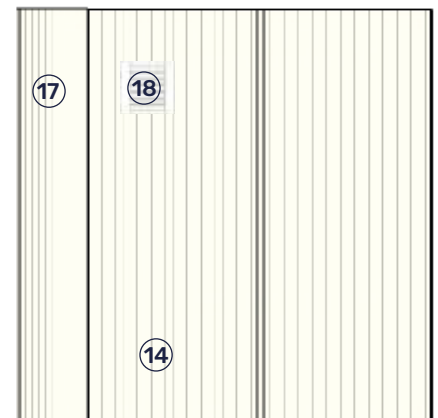
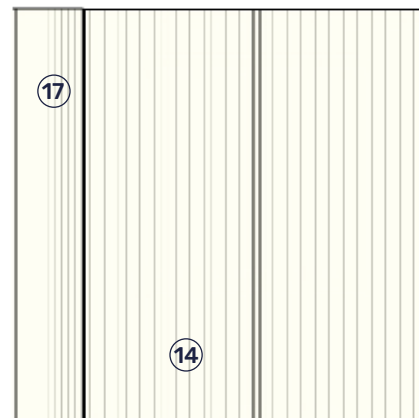
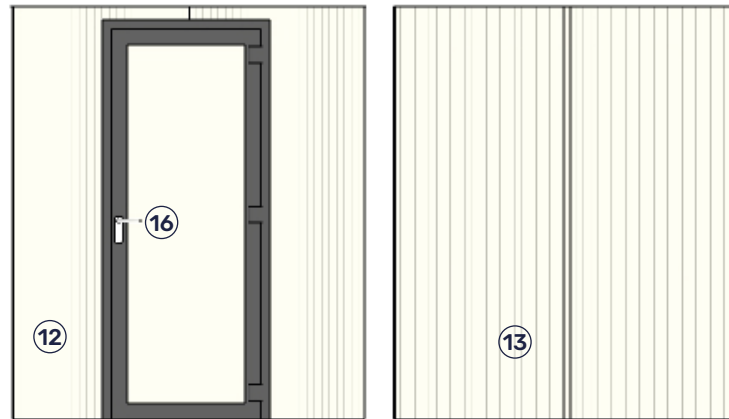
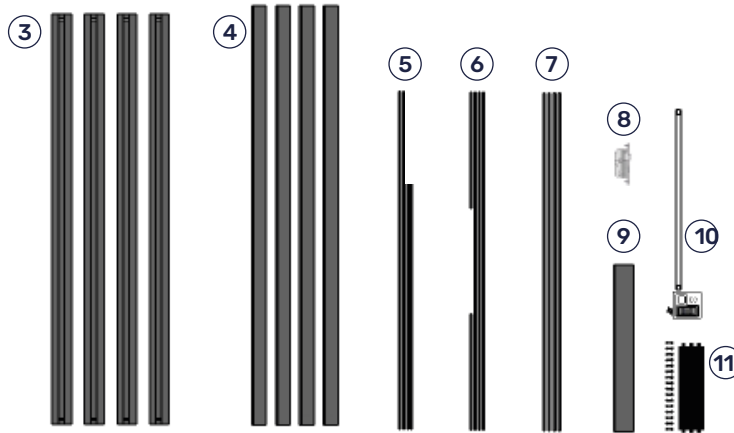


Please scan the code for the assembly video.



unboxing / inventory checklist

No.	Item name/description	Quantity
1	Top Module	1
2	Bottom Module	1
3	Studs	4
4	Exterior Corner Laths	4
5	Top Laths (Short+Long)	4
6	Bottom Laths (Short+Long)	4
7	Interior Corner Laths	4
8	Door Handle	1
9	Door Rain Cover	1
10	Electric Box + Cable Canalet	1
11	Bolts&Nuts + Screw Set	1
12	Short Wall+Exterior Door	1
13	Short Wall	1
14	Long Wall	2
15	Plumbing Fixtures	1
	Wc	
	Reservoir	
	Sink	
	Pedestal	
	Connection pipes	
	PPRC pipes & connections	
	Tap	
16	Door Leaf	1
17	Long Wall Extension	2
18	Went	3



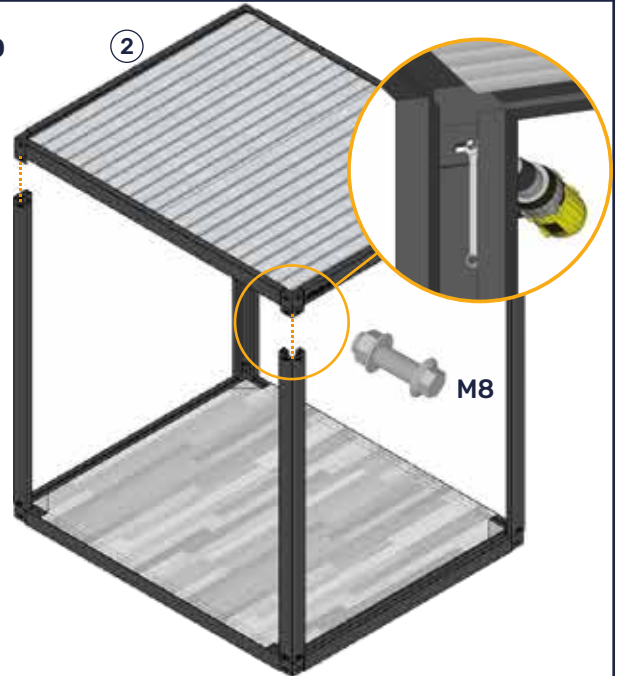


1st step



- 1 Place the bottom module
[Proceed this step on flat, levelled ground]

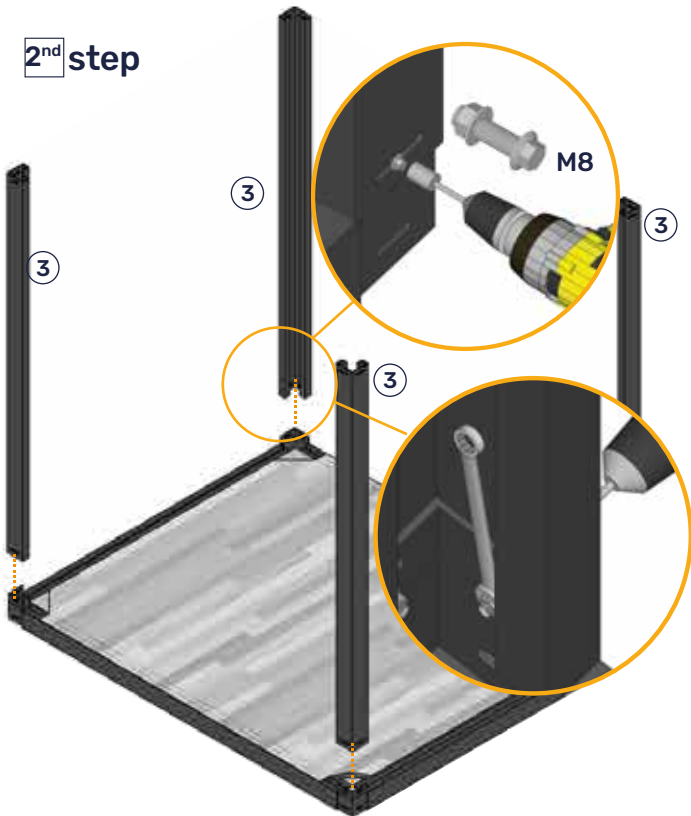
3rd step



Place top module, connect to studs with bolts & nuts

- * [Fully tight the bolt & nuts after all Studs are in place]

2nd step

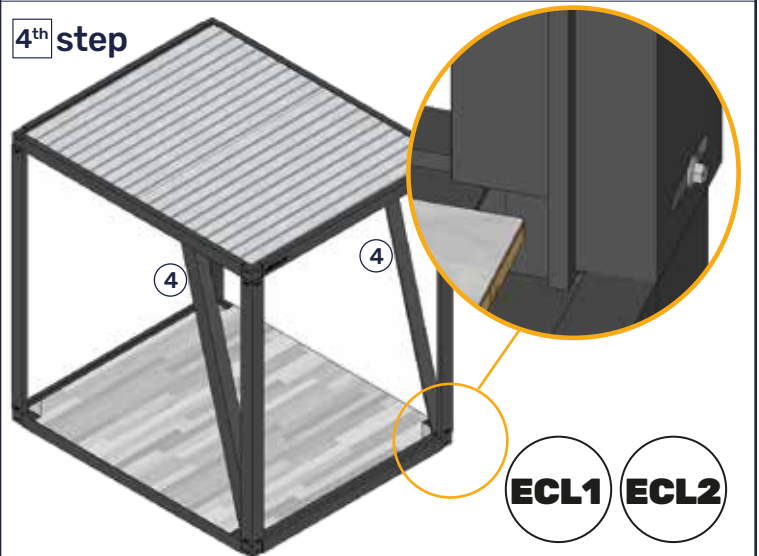


- 1 Place Studs, connect studs with bottom module using M8 bolt&nuts

* [Connect Studs and bottom modules at 90° angle]

** [Fully tight the bolt & nuts after all Studs are in place]

4th step

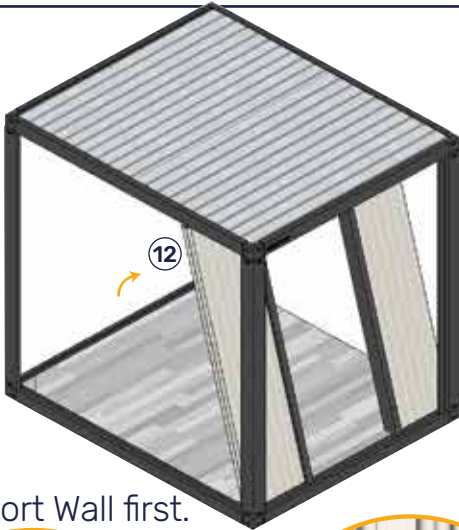


- 1 Place "Exterior Corner Laths" interior side of the studs
CHECK PAGE 7

* [This assembly step does not require screws. Exterior Corner Laths will stay at place with the force applied by the walls]



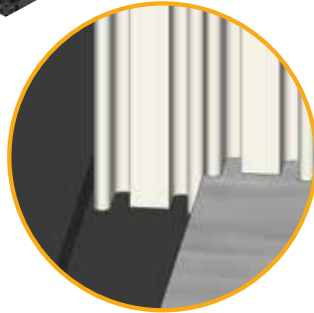
5th step



Place Short Wall first.



correct assembly exterior view

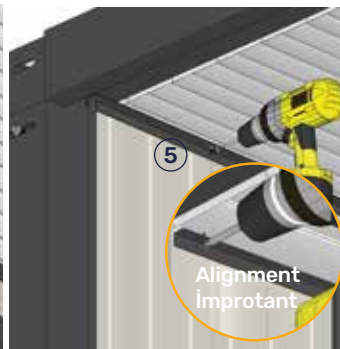
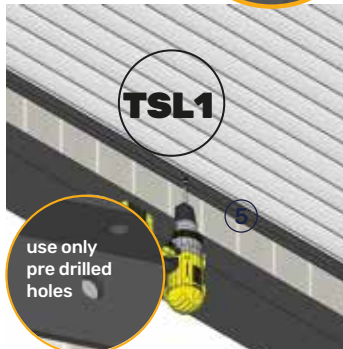
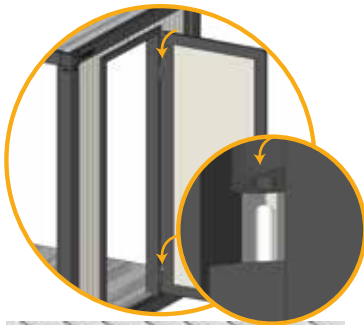


Tall pannels should be in the channel

At unpacking stage, disassemble door from the wall panel.

Place the wall panell with door chasis

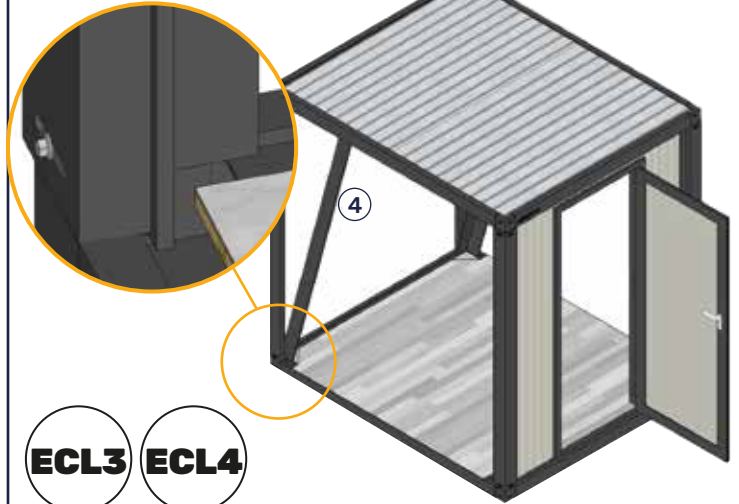
Place the door leaf on the hinge



Assembly top laths, apply pressure at vertical and horizontal directions. Start from center and upper screws **CHECK PAGE 7**



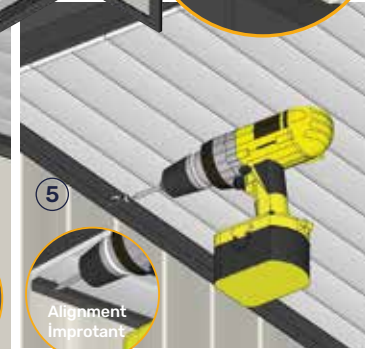
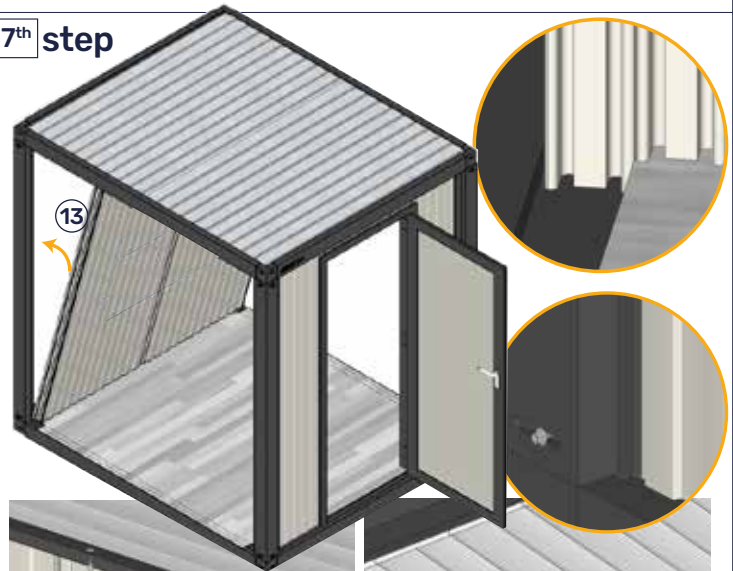
6th step



1 Place "Exterior Corner Laths" interior side of the studs

* [This assembly step does not require screws. Exterior Corner Laths will stay at place with the force applied by the walls]

7th step

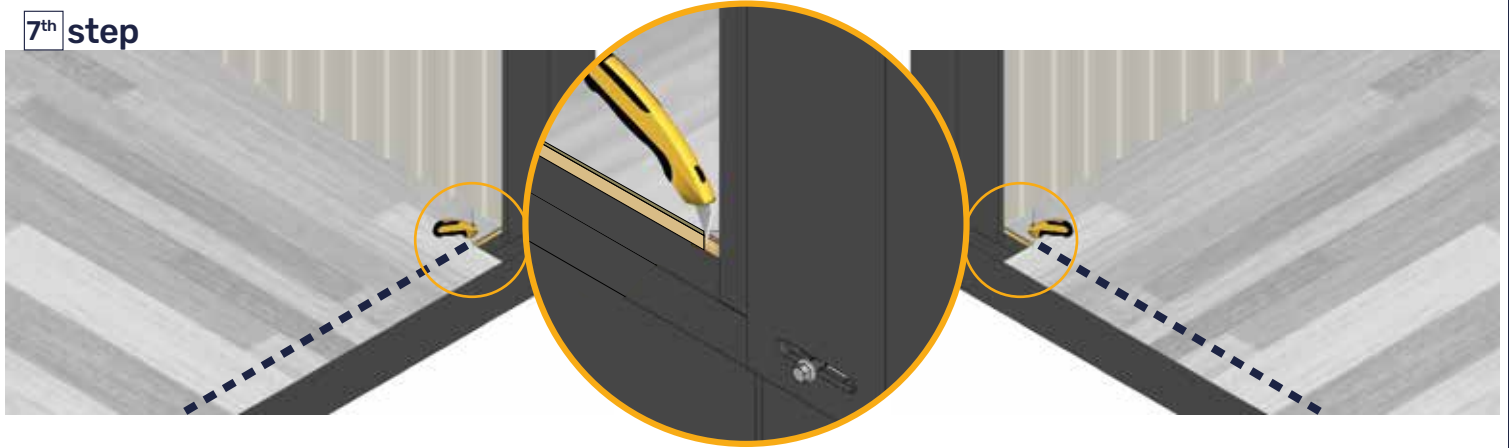


Assembly top laths, apply pressure at vertical and horizontal directions. Start from center and upper screws **CHECK PAGE 7**





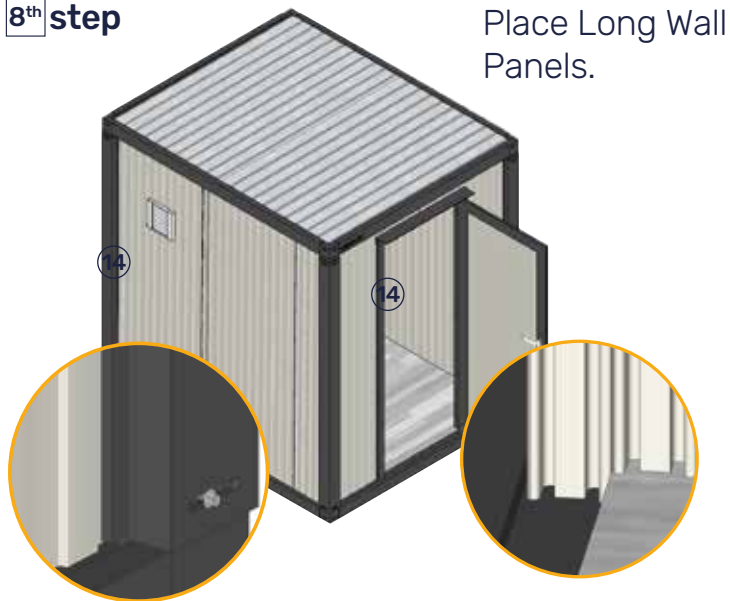
7th step



Cut excessive floor covering from 2,40 m sides, follow the assembly channel

8th step

Place Long Wall Panels.



correct assembly exterior view

Tall panels should be in the channel

9th step

Place Interior Corner Laths with screw

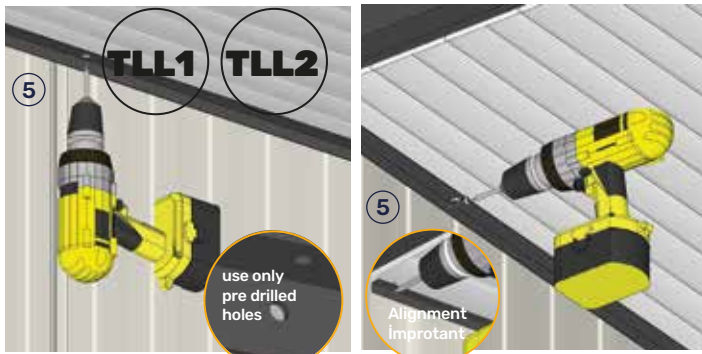


use only pre drilled holes

- 4x**
- ICL1
 - ICL2
 - ICL3
 - ICL4

10th step

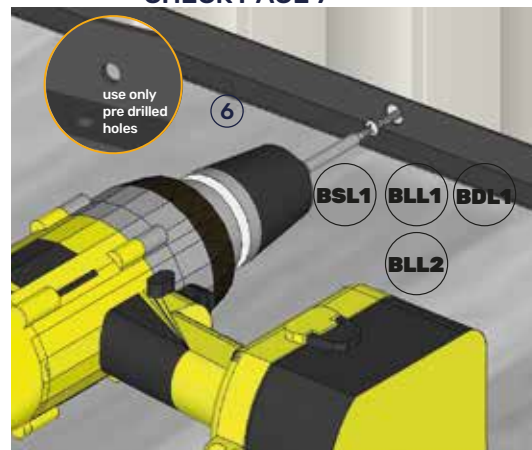
Assembly top laths, apply pressure at vertical and horizontal directions. Start from center and down side screws
CHECK PAGE 7



use only pre drilled holes

Alignment important

Assembly top laths, apply pressure at vertical and horizontal directions. Start from center and upper screws **CHECK PAGE 7**



start center complete all



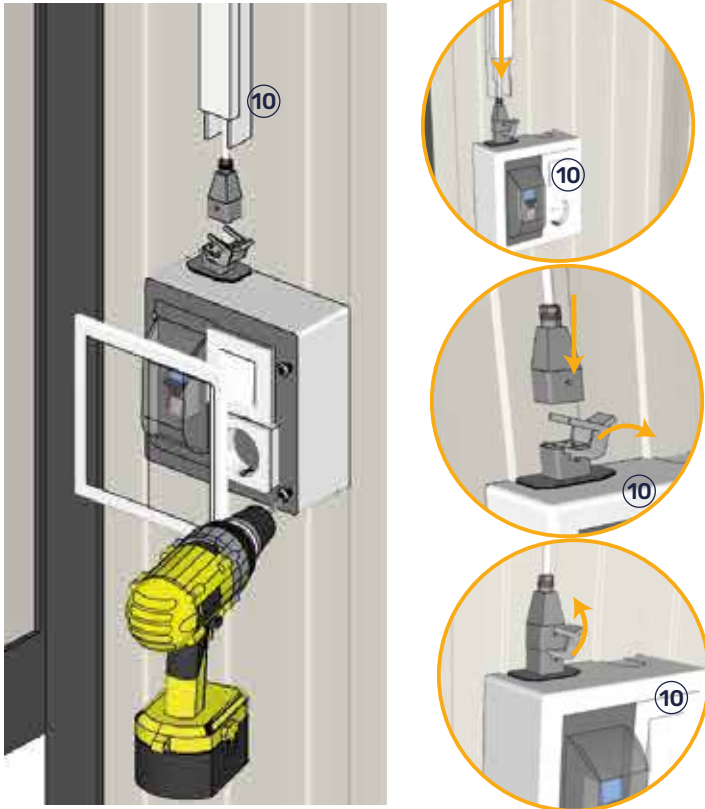
start center complete all





11th step ***DETAILS AT PAGE 8

Place cable canalet
connect the cable and electric box sockets
After everything is at right place and connected, close canalet cap
lift socket connection piece to secure and tight the connection



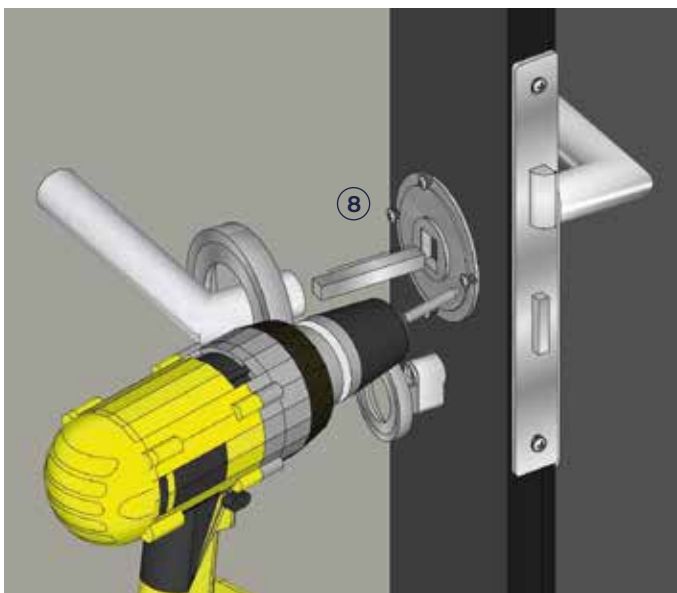
13th step

Place door rain cover assembly at the place with screws



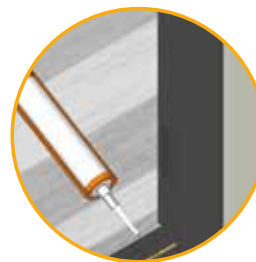
12th step

Assembly door handle and lock mechanisms as shown below
all parts are included at the package



14th step

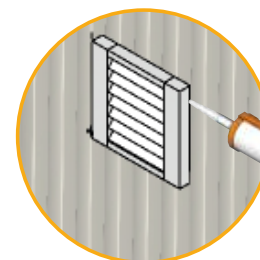
To enhance watertightness of the structure
please apply provided sealant at these connection points



Interior bottom side
of
the entrance door



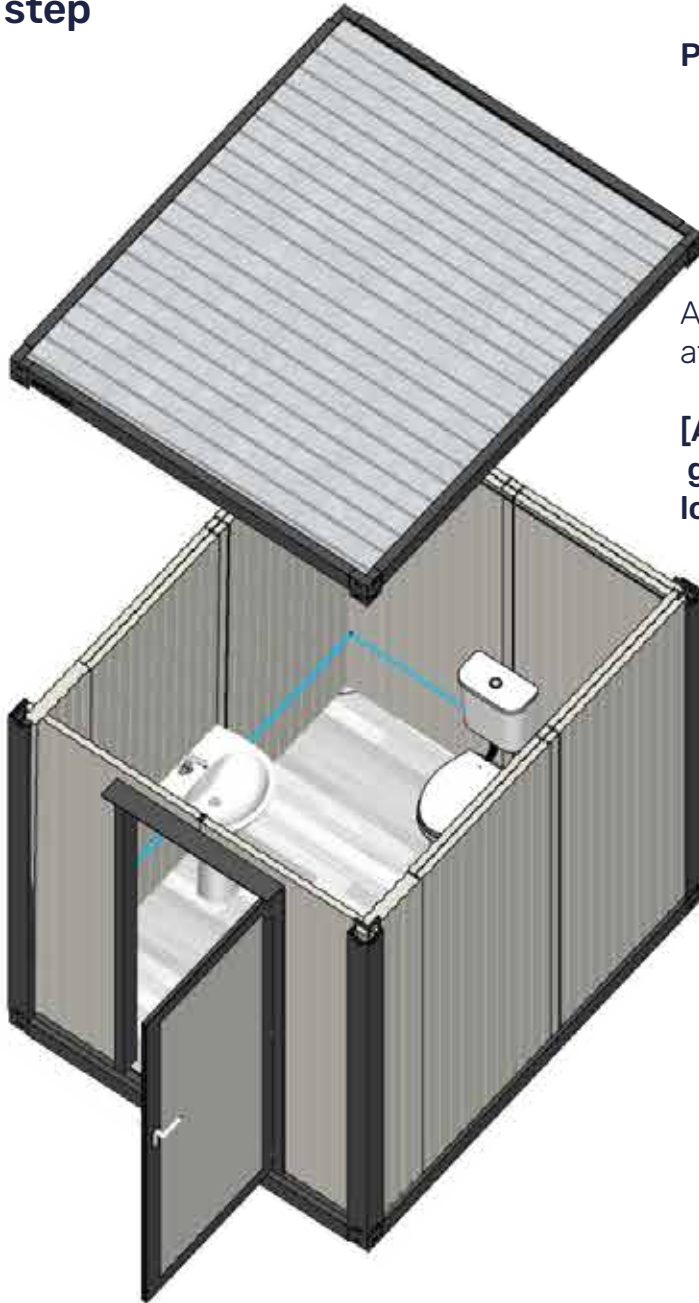
Top connection side
of
Door Rain Cover



Exterior faces
of
shutter sills



15th step



Plumbing System and Fixtures

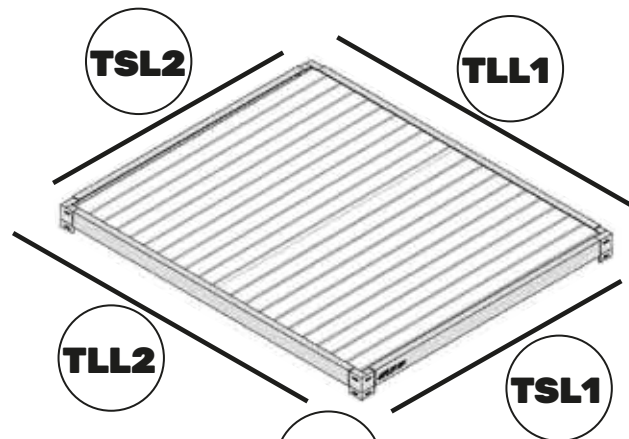
All wc, sink and suitable equipments are included at the package.

[At this assembly stage we recomend getting a professional service to have healty, long lasting sanitary cabinet.]

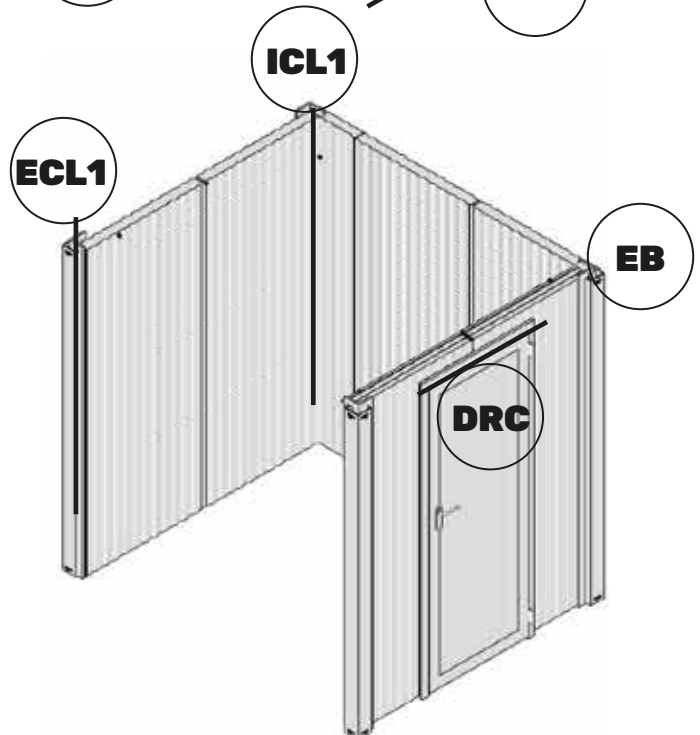


LATHS & DESCRIPTIONS

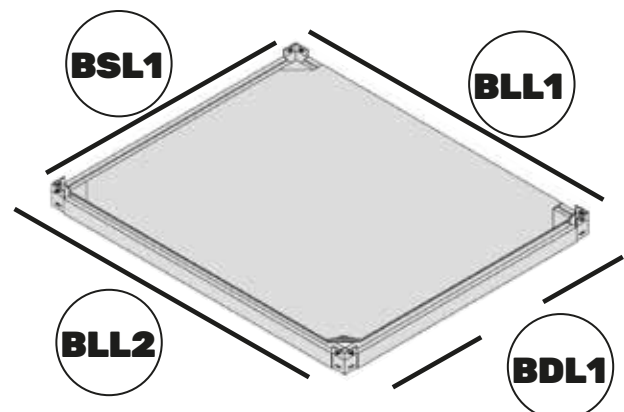
- TSL1** TOP SHORT LATH 4 PCS
- TLL1** TOP LONG LATH 4 PCS



- ECL1** EXTERIOR CORNER LATH 4 PCS
- ICL1** INTERIOR CORNER LATH 4 PCS
- EB** EYE BOLT 4 PCS
- DRC** DOOR RAIN COVER 1 PCS

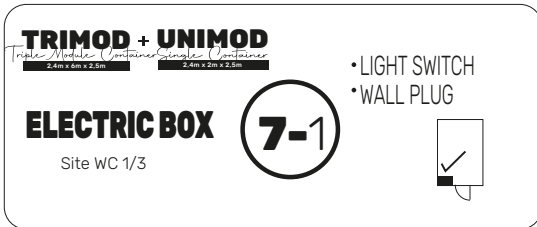


- BDL1** BOTTOM DOOR LATHS 1+1 PCS
- BSL1** BOTTOM SHORT LATH 1 PCS
- BLL1** BOTTOM LONG LATH 2 PCS



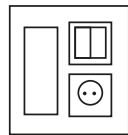


ELECTRICAL CONNECTION DETAILS



1 Choose the right "Electric Box"

Choose the right electric box as shown at the label. At the labels on top of the electrical boxes, panels, and accessories of the boxes are described. The marked black box indicates the right place and box combination you need.



2 Set the correct Height & Place the box

Cable lengths are provided longer at the production stage. Set your optimal height for the assembly. Place the electric box on the wall as shown at the picture using provided screws.



3 Measure the Cable Canalet & Place

Cable canalets are provided longer at than you need for the assembly stage. Measure and cut at the length you want. Place the canalet at the line that you want to connect. Screw canalets to the walls

*** 4 Cable Works & Connection

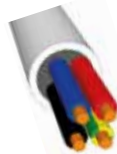
*MEASURE



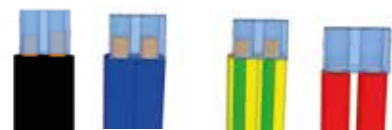
**CUT



***STRIP

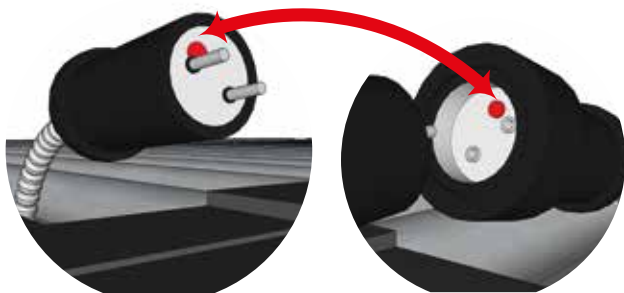


****CONNECT



Measure the top module's cable, cut the wire at the desired length. Strip the cable and inlays to prepare them to connection. Connect inlays with each other. **Only connect the wires with same color.**

MAIN ELECTRIC IN LINE



Carefully connect cables to female adaptors. (Provided inside electric box package)

Make sure that symbols and indicators are lined correctly.

Phases are marked with **RED** dots.

Connect phase sides to each other