

ASSEMBLY

 **B2KON**

TRIMOD
Triple Module Container
2,4m x 6m x 2,5m

Offices



*Please scan the code
for the assembly
video.*

www.b2kon.com

TRIMOD ASSEMBLY

Triple Module Container

2,4m x 6m x 2,5m



B2KON



Please scan the code for the assembly video.



unboxing / inventory checklist

No.	Item name/description	Quantity
1	Top Module	3
2	Bottom Module	3
3	Studs	12
4	Exterior Corner Laths	4
5	Top Laths (Short+Long)	8
6	Bottom Laths (Short+Long)	9
7	Interior Corner Laths	4
8	Door Handle & Window Handle	1&2
9	Door Rain Cover	1
10	Electric Box + Cable Canalet	3
11	Bolts&Nuts + Screw Set	3
12	Interior Wall Connection Cover	4
13	Floor Connection Cover	2
14	Floor Connction Filler OSB	4
15	Short Wall+Exterior Door	1
16	Door Leaf	1
17	Short Wall	3
18	Long Wall	2
19	Long Wall Extension	2
20	Short Wall+Window	2
21	Window Leaf	2
22	Bottom connection plate	4
23	Top connection plate	4
24	Gasket	1
25	Mineral Wool Connection Filler	4



TRIMOD ASSEMBLY

Triple Module Container

2,4m x 6m x 2,5m



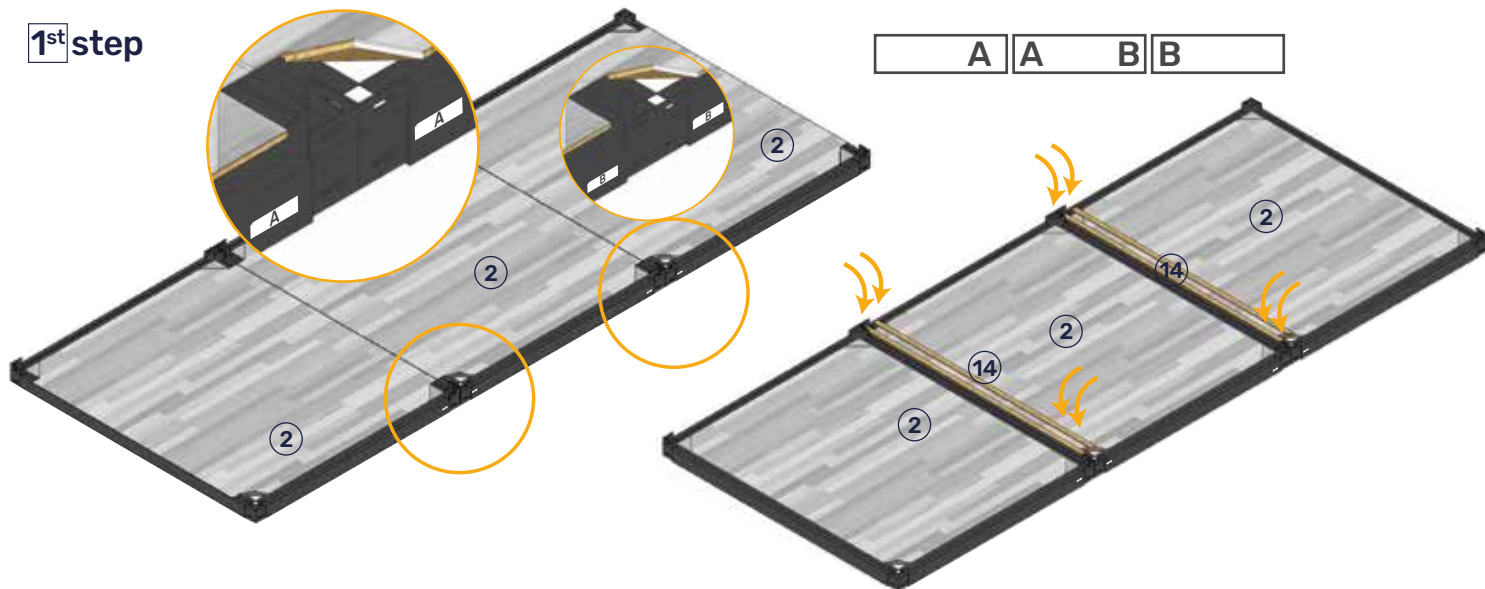
B2KON



Please scan the code for the assembly video.



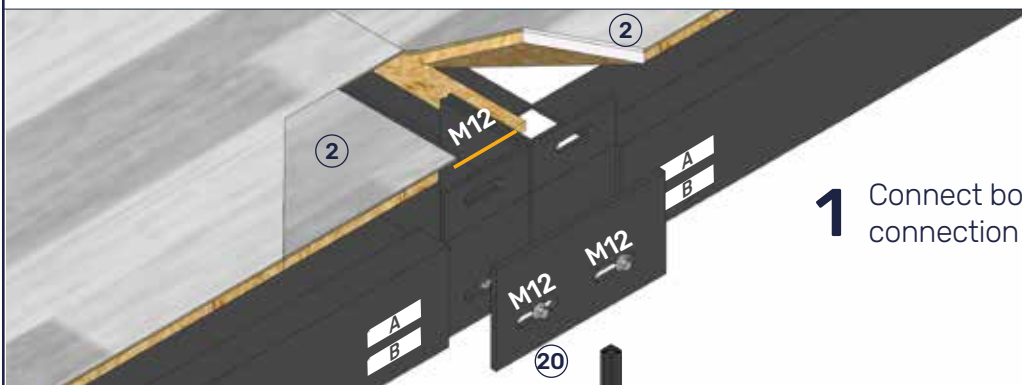
1st step



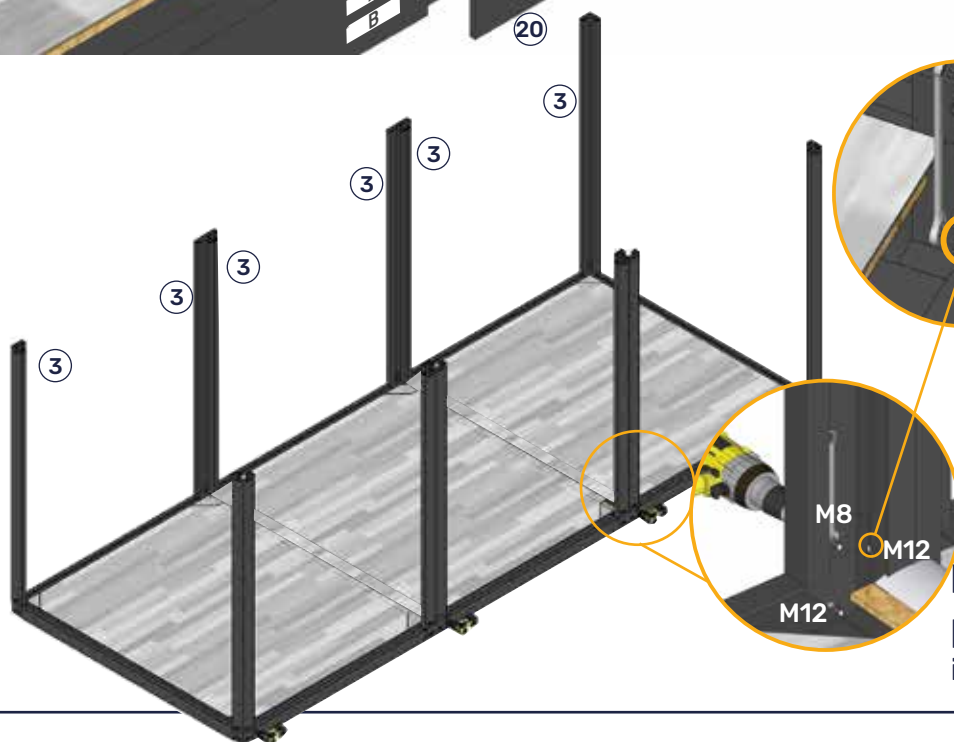
1 Place the bottom modules with correct order
[Proceed this step on flat, levelled ground]

2 "Lift" the excessive floor coverings at the 2,4m sides Place the floor connection fillers inside the channels
[Proceed this step on flat, levelled ground]

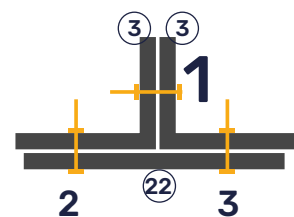
2nd step



1 Connect bottom modules and bottom connection plates using **M12** bolts&nuts



2 Place Studs to bottom module using bolts & nuts
[Connect Studs and bottom modules at 90° angle]
[Fully tight all the bolts & nuts after all Studs are in place]



Plates M12
Interior Connection M12
Studs M8

TRIMOD ASSEMBLY

Triple Module Container

2,4m x 6m x 2,5m

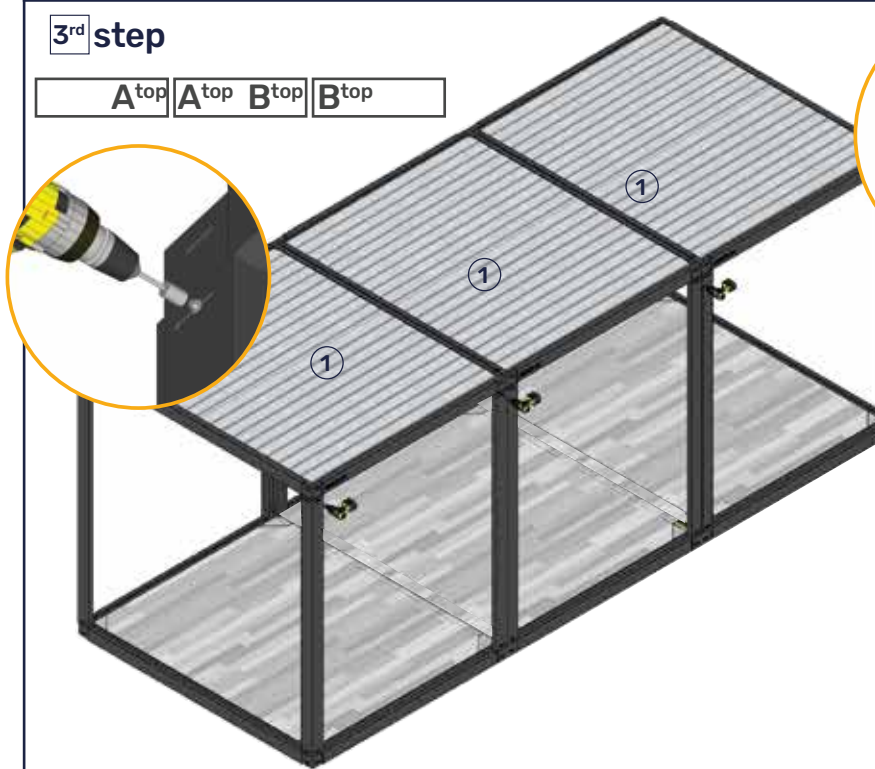


Please scan the code for the assembly video.



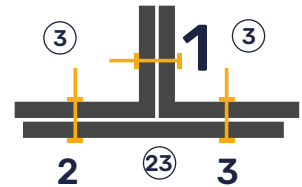
3rd step

A^{top} A^{top} B^{top} B^{top}



M8

Place top module, connect to studs with bolts & nuts
 [Fully tight the bolt & nuts after all Studs are in place]

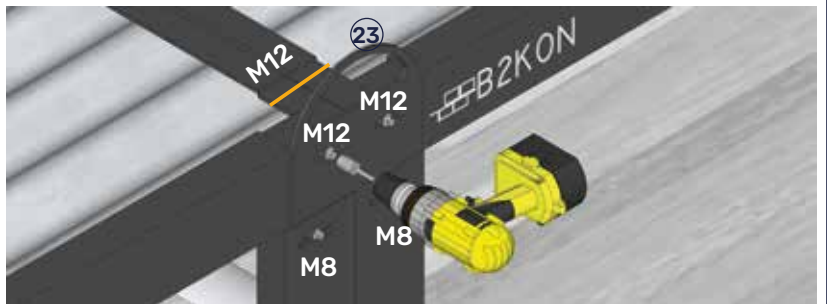
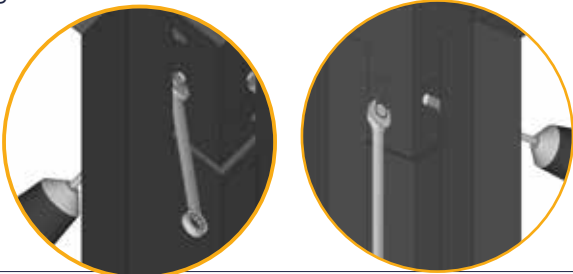


**

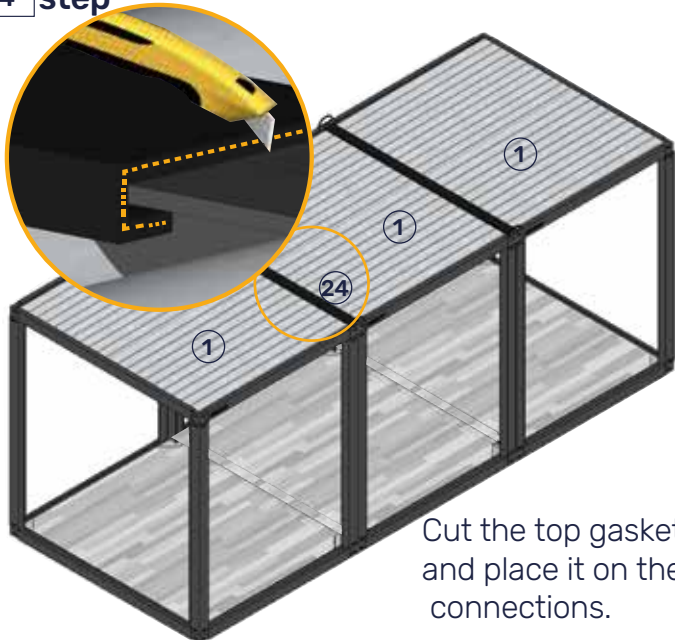
- 1st Interior Connection M12
- 2nd Plates M12
- 3rd Studs M8



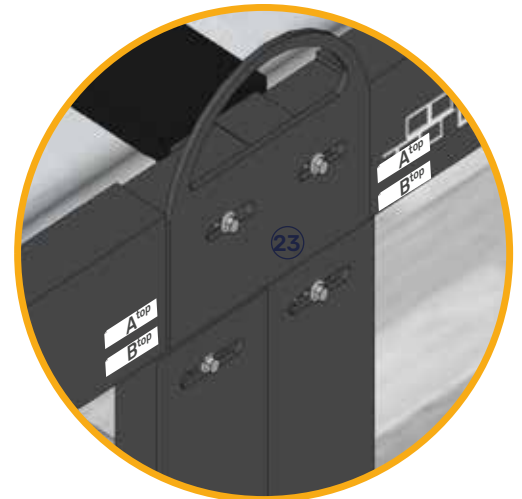
Connect top modules an top connection+crane plates using **M12** bolts&nuts



4th step



Cut the top gasket at right lengths and place it on the top module connections.



Correctly assembly; middle top connections

TRIMOD ASSEMBLY

Triple Module Container

2,4m x 6m x 2,5m



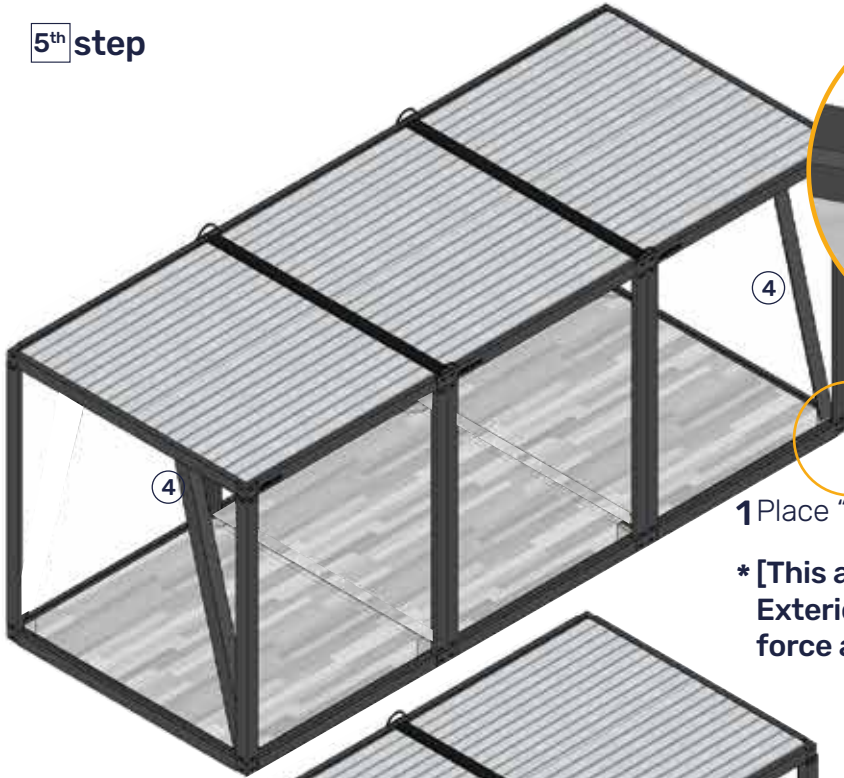
B2KON



Please scan the code for the assembly video.

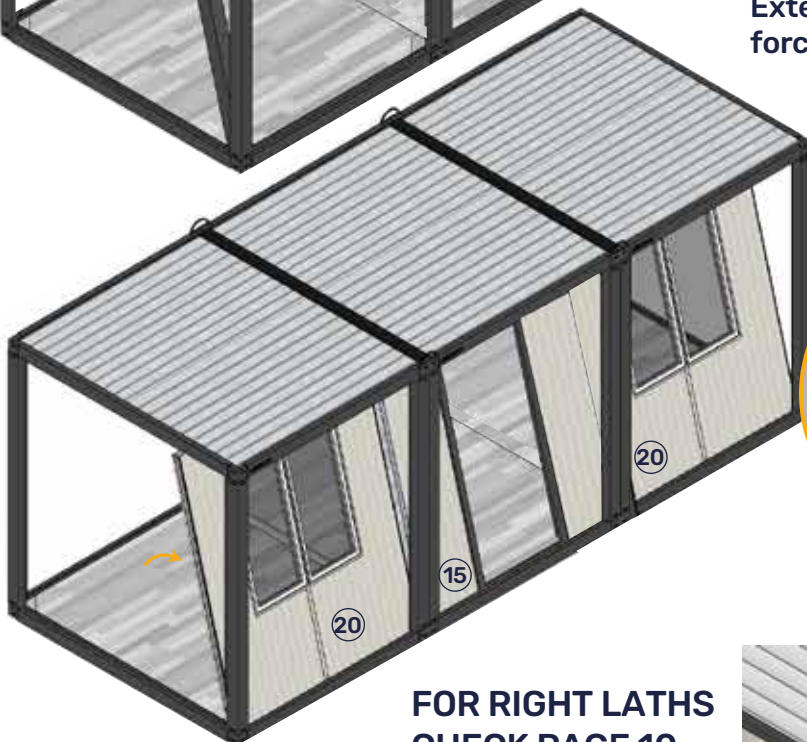


5th step

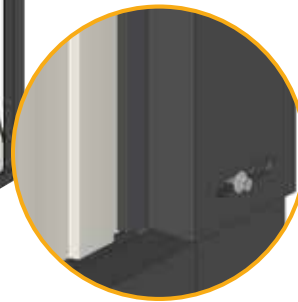


1 Place "Exterior Corner Laths" interior side of the studs

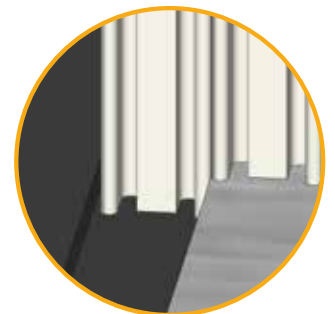
* [This assembly step does not require screws. Exterior Corner Laths will stay at place with the force applied by the walls]



Place Short Walls



correct assembly exterior view



tall panels should be in the channel

FOR RIGHT LATHS CHECK PAGE 10

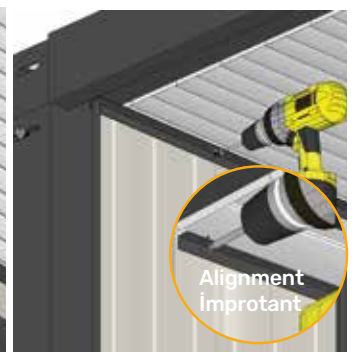
At unpacking stage, disassemble door from the wall panel.

Place the wall panell with door chasis

Place the door leaf on the hinge



use only pre drilled holes



Alignment important

Assembly top laths, apply pressure at vertical and horizontal directions. Start from center and upper screws



TRIMOD ASSEMBLY

Triple Module Container

2,4m x 6m x 2,5m



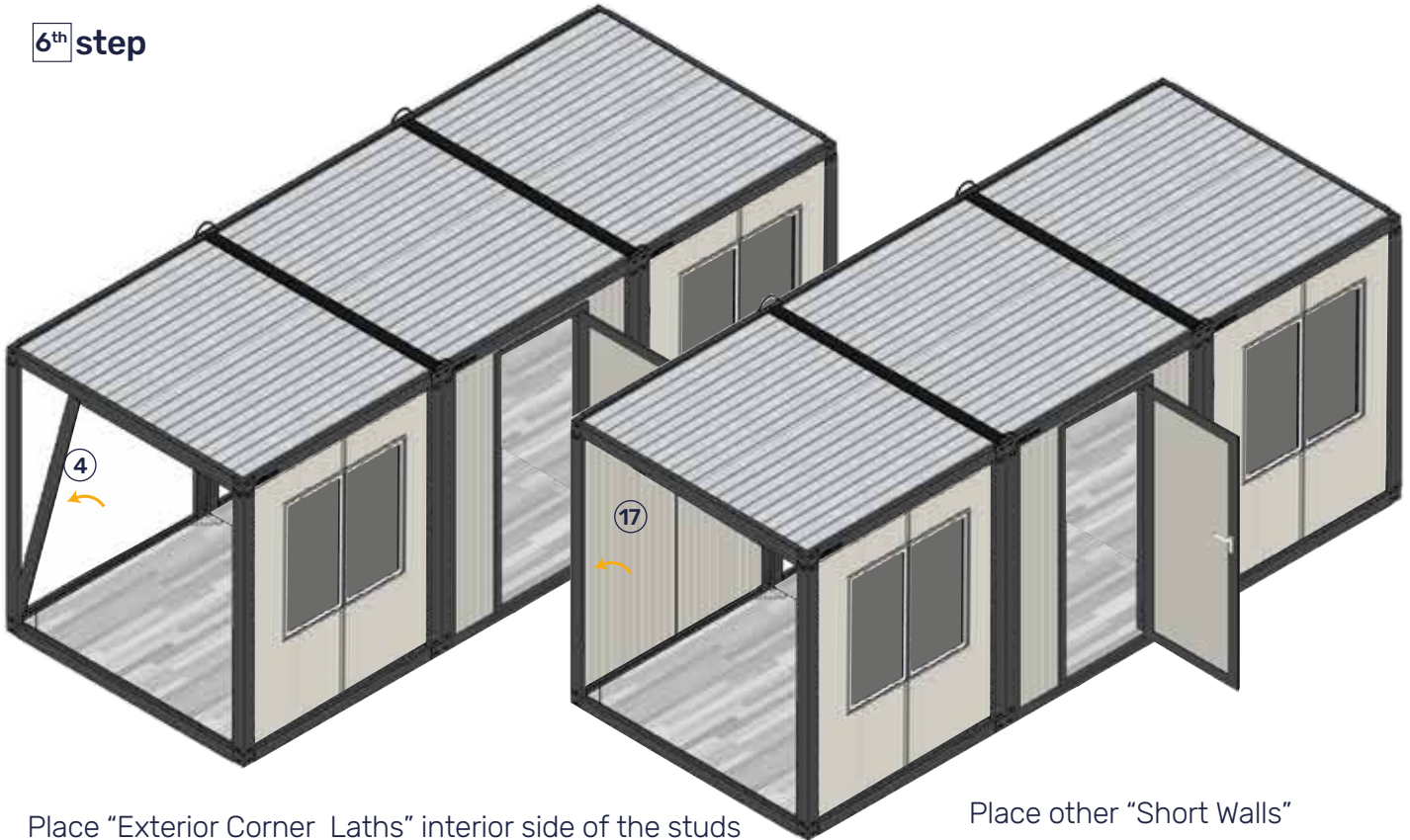
B2KON



Please scan the code for the assembly video.



6th step

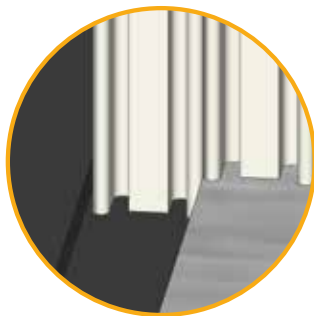


Place "Exterior Corner Laths" interior side of the studs

Place other "Short Walls"



correct assembly exterior view

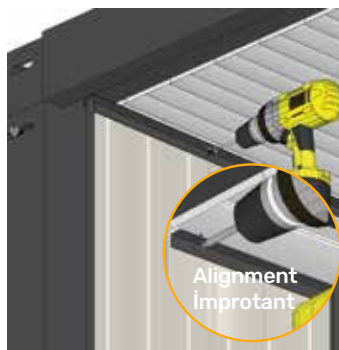


tall panels should be in the channel

FOR RIGHT LATHS CHECK PAGE 10



use only pre drilled holes

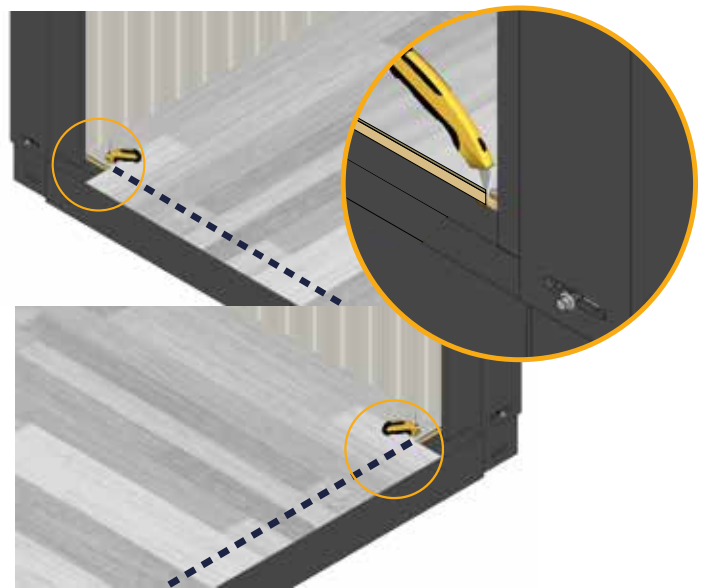


Alignment important

Assembly top laths, apply pressure at vertical and horizontal directions. Start from center and upper screws



7th step



Cut excessive floor covering from 2,40 m end sides, follow the assembly channel

TRIMOD ASSEMBLY

Triple Module Container

2,4m x 6m x 2,5m

 B2KON

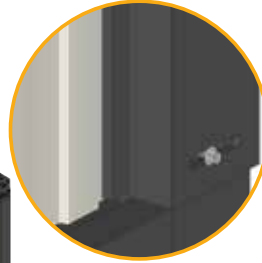
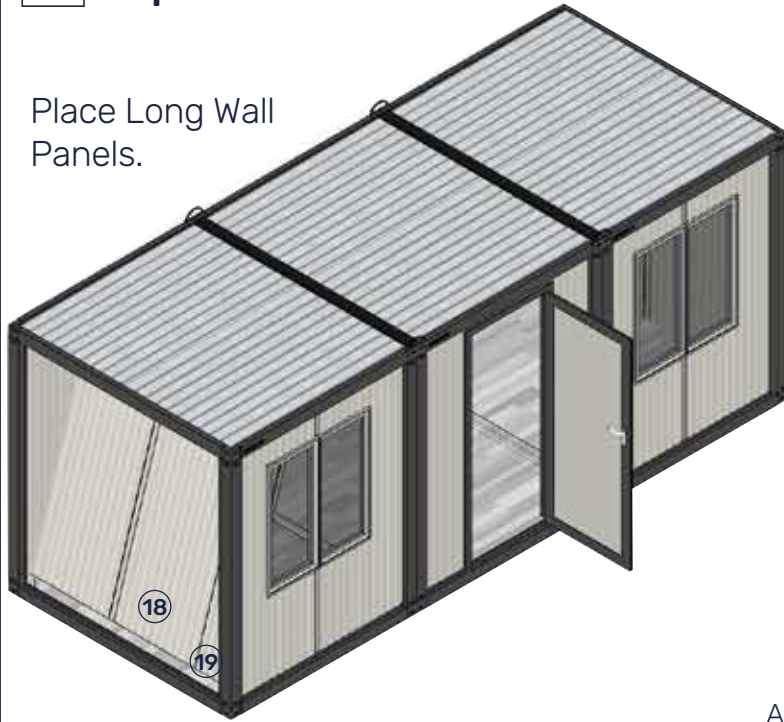


Please scan the code for the assembly video.



7th step

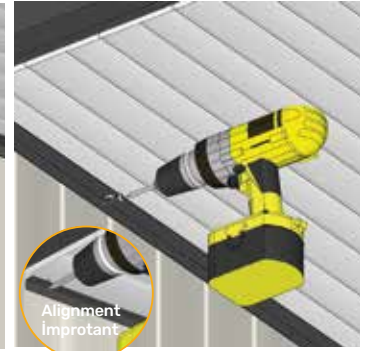
Place Long Wall Panels.



correct assembly exterior view



tall panels should be in the channel
shorter panels should be on the floor



Assembly top laths, apply pressure at vertical and horizontal directions. Start from center and upper screws

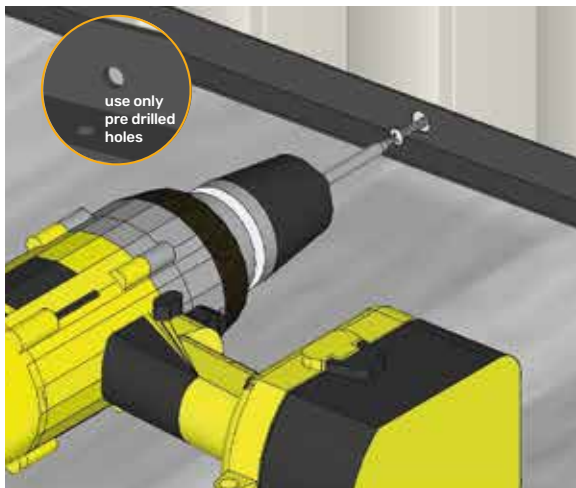
FOR RIGHT LATHS CHECK PAGE 10



8th step

Assembly bottom laths, apply pressure at vertical and horizontal directions. Start from center and down side screws

Place Interior Corner Laths with screw



start center complete all



start center complete all



use only pre drilled holes

For All Corners

for all short & long walls

FOR RIGHT LATHS CHECK PAGE 10

TRIMOD

Triple Module Container

2,4m x 6m x 2,5m

ASSEMBLY



B2KON

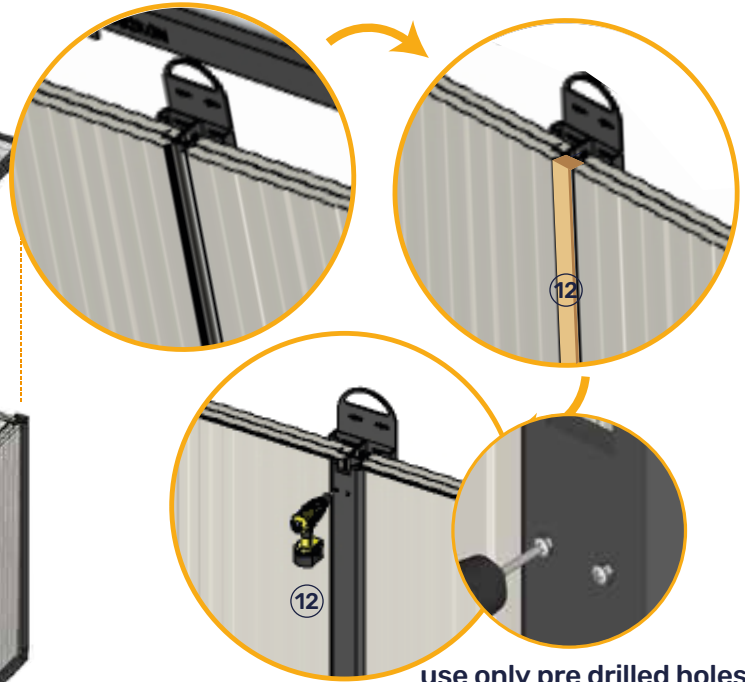
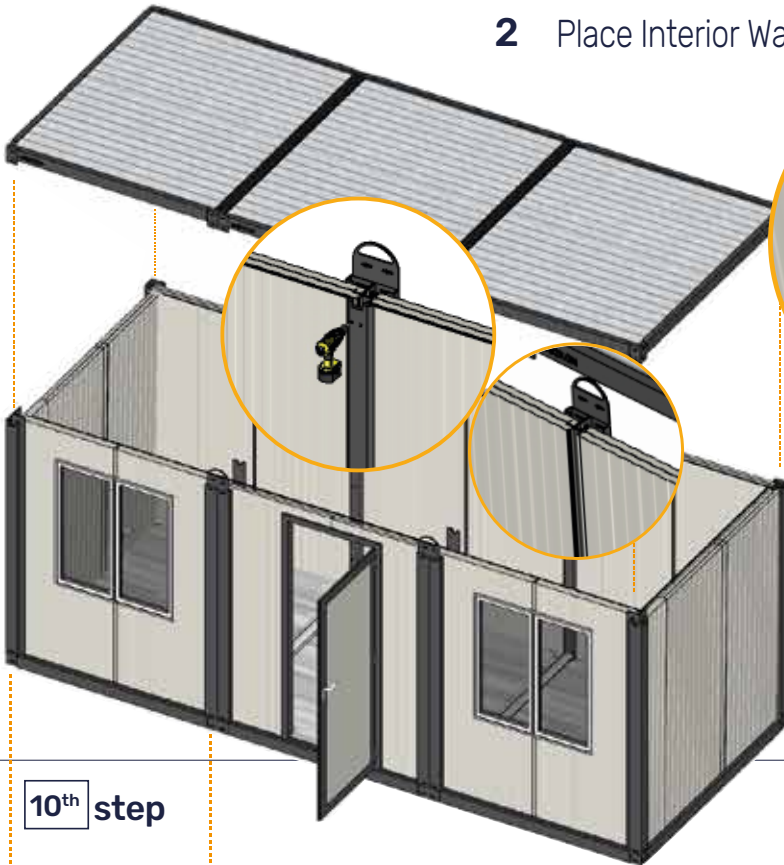


Please scan the code for the assembly video.

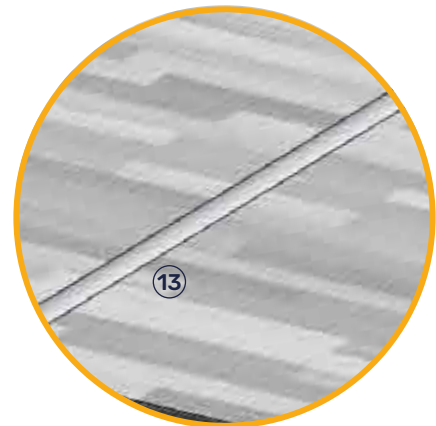


9th step

- 1 Place Mineral Wool Fillers at the connection cavities.
- 2 Place Interior Wall Connection Covers with screws



10th step



Align the floor coverings and stick floor connection covers

[Floor connection covers have adhesive tapes they do not require screw]

TRIMOD ASSEMBLY

Triple Module Container

2,4m x 6m x 2,5m



B2KON

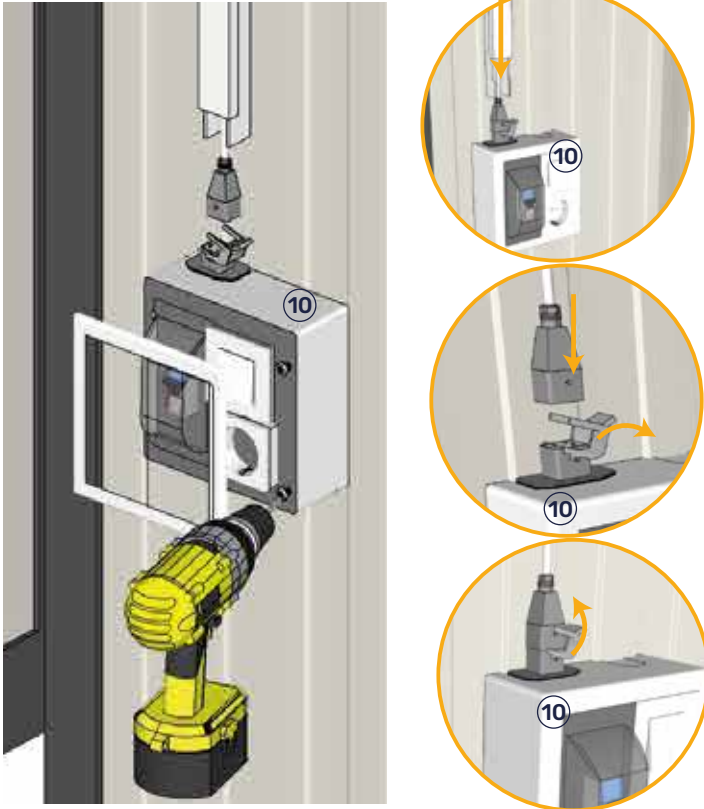


Please scan the code for the assembly video.



11th step ***DETAILS AT PAGE 11

Place cable canalet (canalets comes with self adhesive tapes) connect the cable and electric box sockets
After everything is at right place and connected, close canalet cap lift socket connection piece to secure and tight the connection



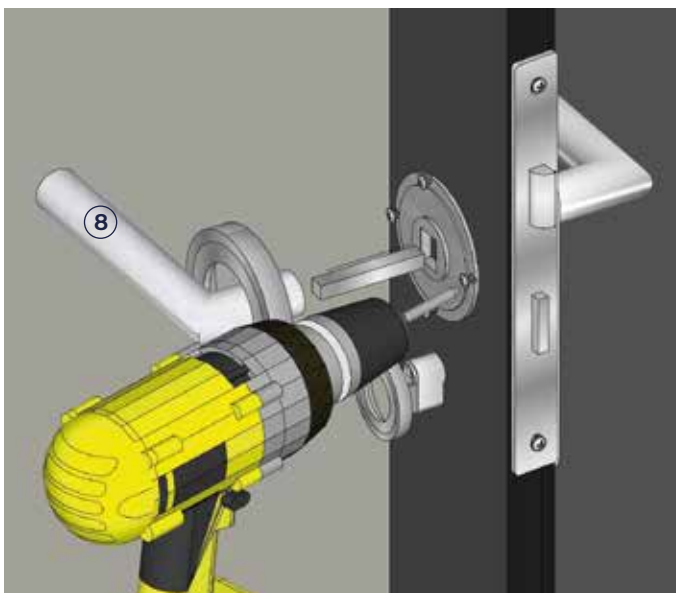
13th step

Place door rain cover assembly at the place with screws



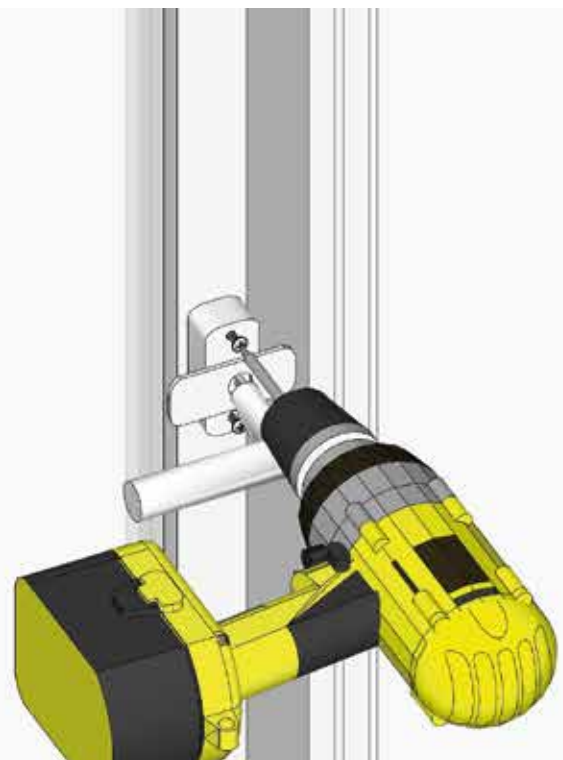
12th step

Assembly door handle and lock mechanisms as shown below all parts are included at the package



14th step

Assembly window handle as shown below all parts are included at the package



TRIMOD ASSEMBLY

Triple Module Container

2,4m x 6m x 2,5m



B2KON



Please scan the code for the assembly video.



15th step ceiling hiding laths

to hide top module's PVC wainscot, place and screw ceiling hiding laths at the module connections on top of wainscot's ends.

1
2
3
4

use only pre drilled holes

↑ 1 start center complete all

just upper direction smallest laths

TRIMOD-OFFICE

ASSEMBLY Completed

16th step Sealant Application

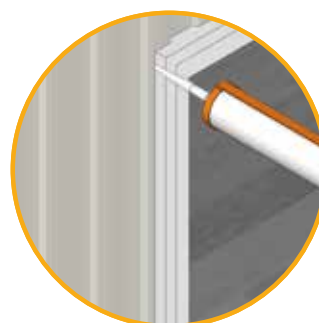
To enhance watertightness of the structure please apply provided sealant at these connection points



Interior bottom side of the entrance doors



Studs connection's exterior faces



Exterior faces of window sills



Top connection side of Door Rain Cover

TRIMOD ASSEMBLY

Triple Module Container

2,4m x 6m x 2,5m



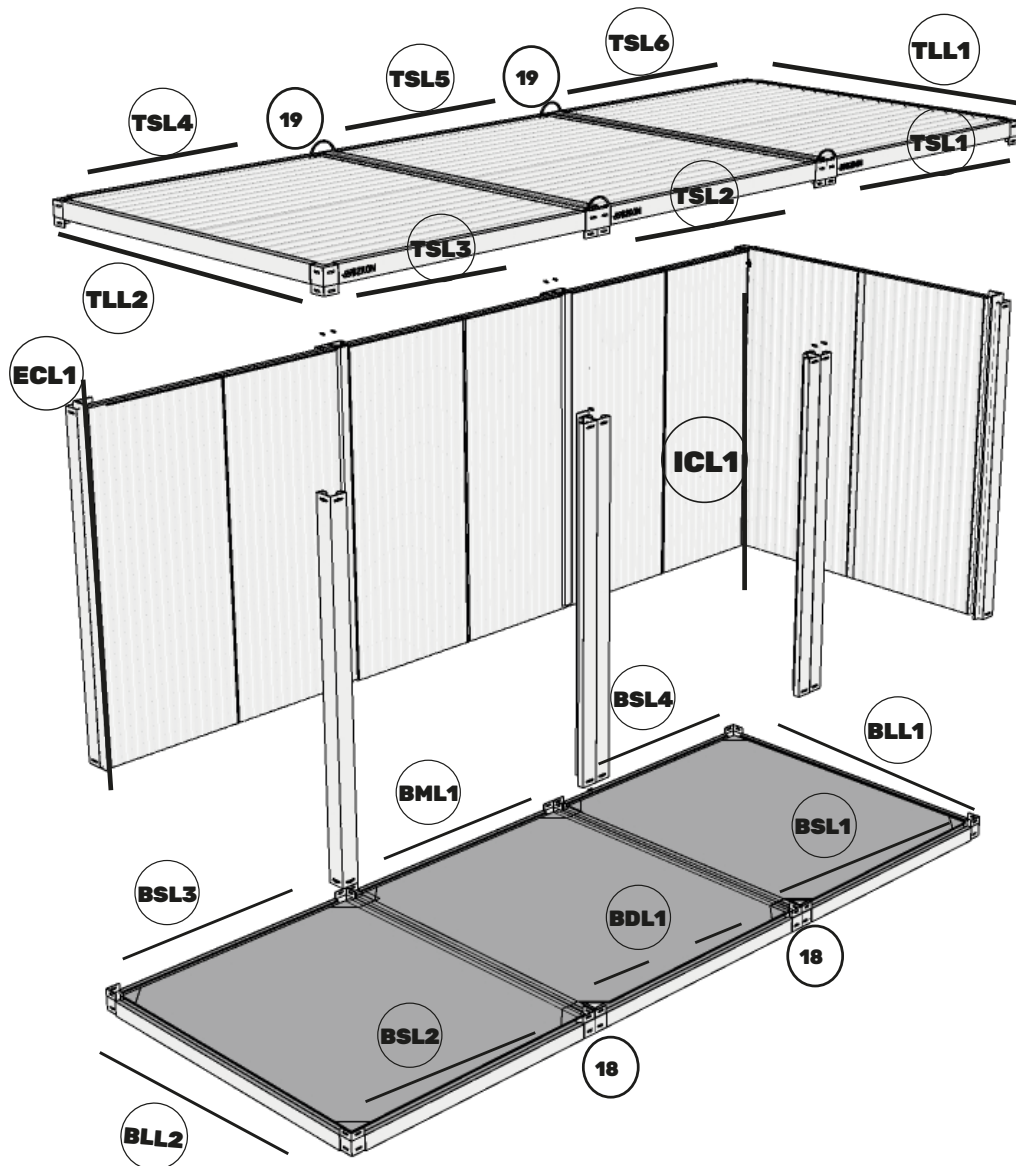
B2KON



Please scan the code for the assembly video.



LATHS & DESCRIPTIONS

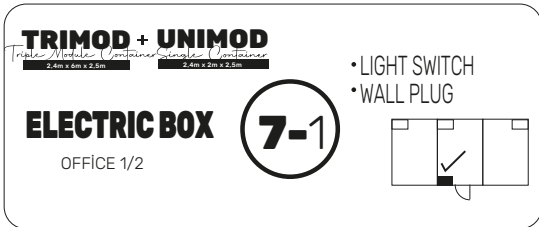


TSL1 TOP SHORT LATH	6 PCS	ECL1 EXTERIOR CORNER LATH	4 PCS	BDL1 BOTTOM DOOR LATHS	1+1 PCS
TLL1 TOP LONG LATH	2 PCS	ICL1 INTERIOR CORNER LATH	4 PCS	BSL1 BOTTOM SHORT LATH	4PCS
CHL1 CEILING HIDING LATH	4 PCS	22 BOTTOM CONNECTION PLATE	1 PCS	BML1 BOTTOM MIDDLE LATH	1 PCS
		23 TOP CONNECTION PLATE	1 PCS	BLL1 BOTTOM LONG LATH	2 PCS
		DRC DOOR RAIN COVER	1 PCS		



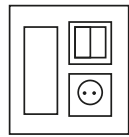
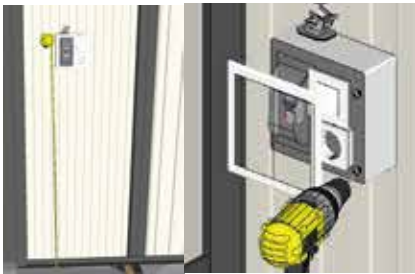
ELECTRICAL CONNECTION DETAILS

1 Choose the right "Electric Box"



Choose the right electric box as shown at the label. At the labels on top of the electrical boxes, places, and accessories of the boxes are described. The marked black box indicates the right place and box combination you need.

2 Set the correct Height & Place the box



Cable lengths are provided longer at the production stage. Set your optimal height for the assembly. Place the electric box on the wall as shown at the picture using provided screws.

3 Measure the Cable Canalet & Place



Cable canalets are provided longer at than you need for the assembly stage. Measure and cut at the length you want. Place the canalet at the line that you want to connect. Screw canalets to the walls

***4 Cable Works & Connection

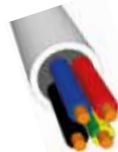
*MEASURE



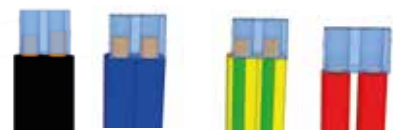
**CUT



***STRIP



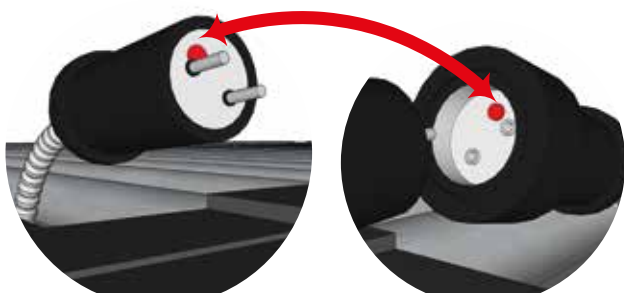
****CONNECT



Measure the top module's cable, cut the wire at the desired length. Strip the cable and inlays to prepare them to connection. Connect inlays with each other. **Only connect the wires with same color.**

MAIN ELECTRIC IN LINE & INTER CONNECTION LINES

Carefully connect cables to female adaptors. (Provided inside electric box package)
Make sure that symbols and indicators are lined correctly.



Phases are marked with **RED** dots.
Connect phase sides to each other