

ASSEMBLY

 **B2KON**

TRIMOD  **UNIMOD**
Triple Module Container *Single Container*
2,4m x 6m x 2,5m 2,4m x 2m x 2,5m

Labor Dorms



Please scan the code
for the assembly
video.

www.b2kon.com



ASSEMBLY



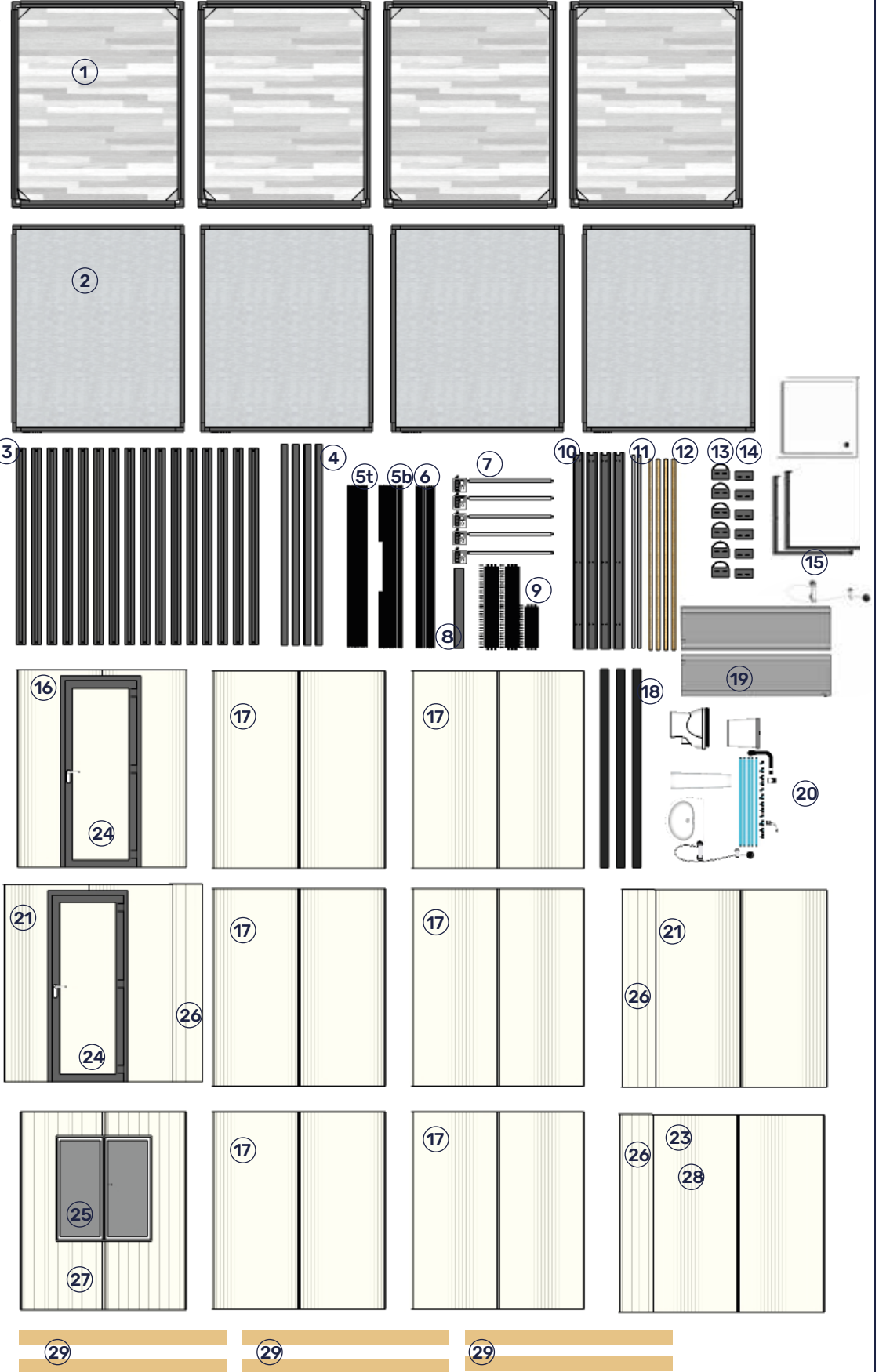
B2KON



Please scan the code for the assembly video.



no.	item name/description	quantity
1	Bottom Module	4
2	Top Module	4
3	Studs	16
4	Exterior Corner Laths	4
5/t	Top Laths	16
5/b	Bottom Laths	15
6	Interior Corner Laths	8
7	Electric box +Cable Canalets	5
8	Door Rain Cover	1
9	Bolts&Nuts + Screw Set	1
10	Interior Wall Connection Cover	6
11	Floor Connection Cover	2
12	Floor Connction Filler OSB	5
13	Top connction plate	6
14	Bottom connection plate	6
15	Shower tray set	1
16	Short wall+Door	1
17	Short Wall	6
18	Gasket	1 (cut to 3)
19	Shower walls	1
20	Sanitary equipments+ wc+sink	1
21	Long Wall + Interior Door	1
22	Long wall	1
23	Long wall+Vent	1
24	Door Leaf	2
25	Window Leaf	1
26	Long Wall Extension	3
27	Shortwall+ Window	1
28	Vent	1
29	Mineral Wool Fillers	6



TRIMOD + **UNIMOD**
Triple Module Container + *Single Container*
 2.4m x 6m x 2.5m + 2.4m x 2m x 2.5m

ASSEMBLY



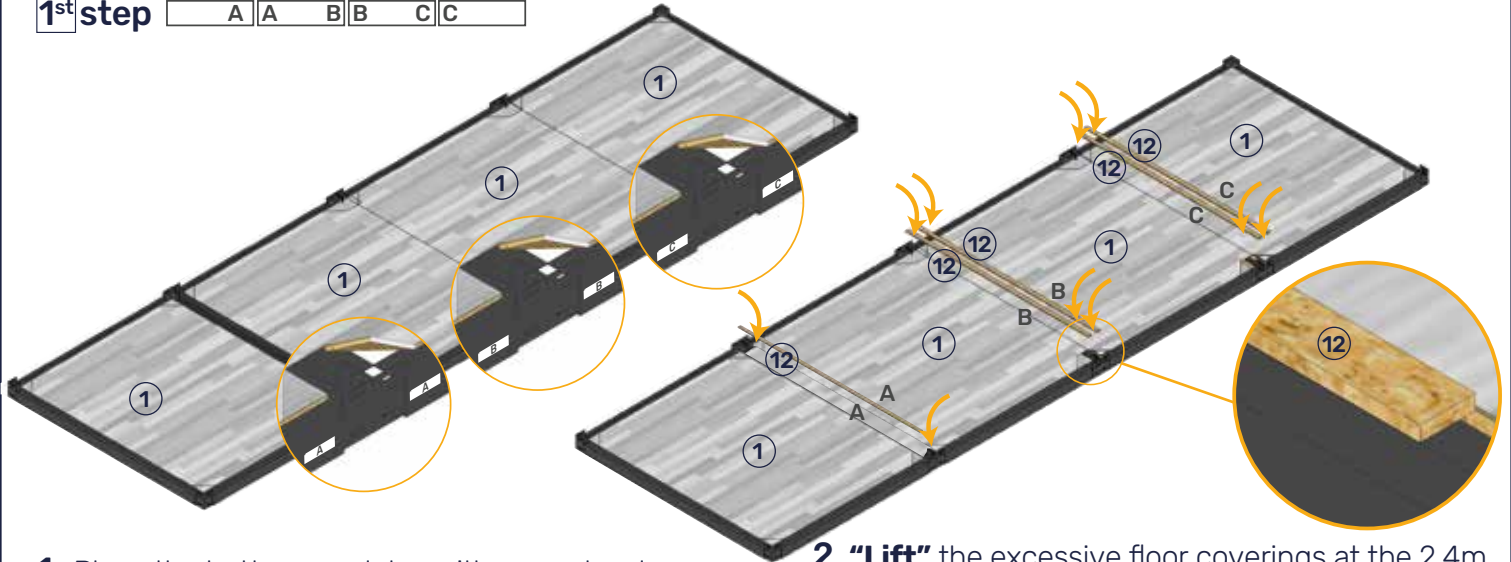
B2KON



Please scan the code for the assembly video.



1st step A | A B | B C | C

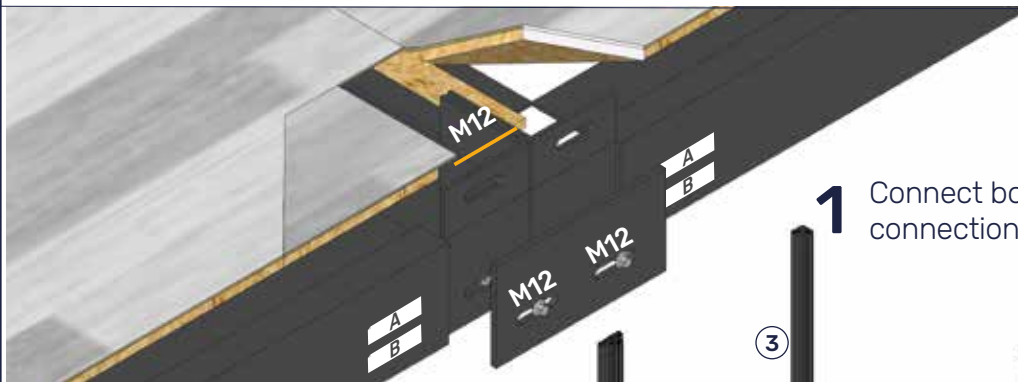


1 Place the bottom modules with correct order
 [Proceed this step on flat, levelled ground]

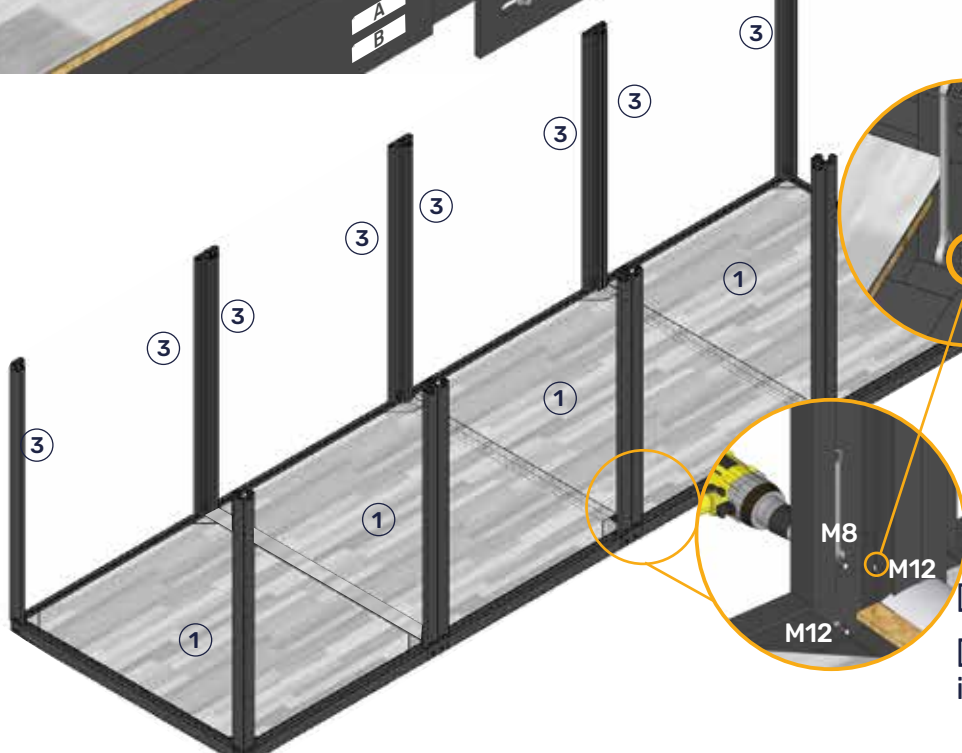
2 "Lift" the excessive floor coverings at the 2,4m sides Place the floor connection fillers inside the channels.



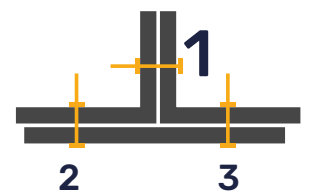
2nd step



1 Connect bottom modules and bottom connection plates using **M12** bolts&nuts



2 Place Studs to bottom module using bolts & nuts
 [Connect Studs and bottom modules at 90° angle]
 [Fully tight all the bolts & nuts after all Studs are in place]



Plates M12

Interior Connection M12

Studs M8

TRIMOD + **UNIMOD**
Triple Module Container + *Single Container*
 2.4m x 6m x 2.5m

UNIMOD
Single Container
 2.4m x 2m x 2.5m

ASSEMBLY



B2KON

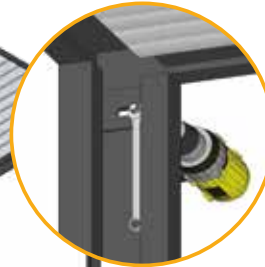
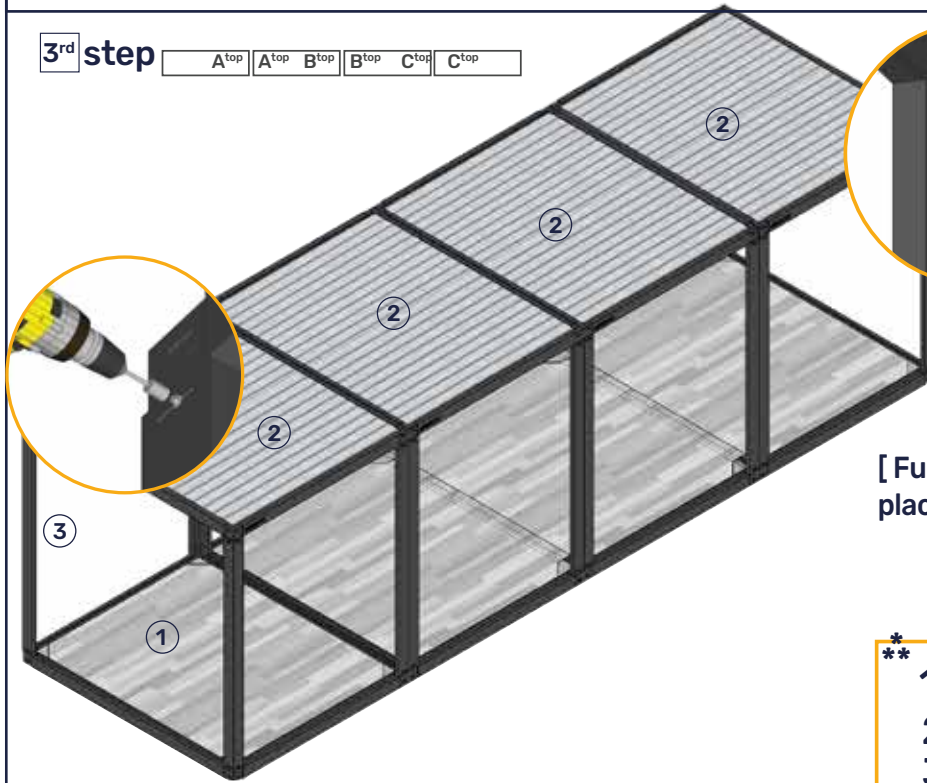


Please scan the code for the assembly video.



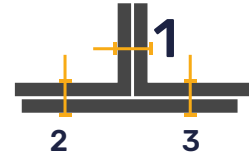
3rd step

A^{top} A^{top} B^{top} B^{top} C^{top} C^{top}



Place top module, connect to studs with bolts & nuts

[Fully tight the bolt & nuts after all Studs are in place]



**

1st Interior Connection M12

2nd

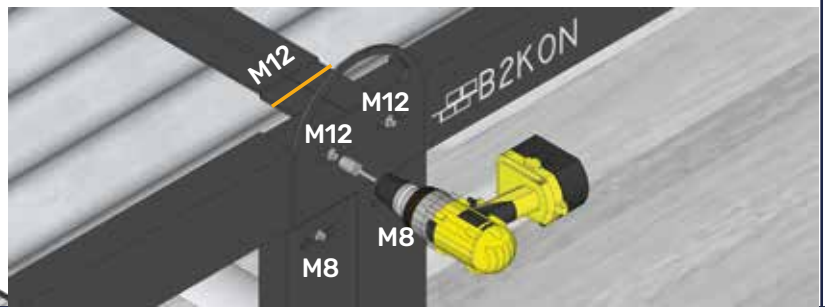
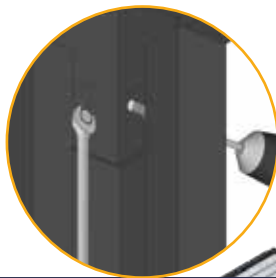
Plates M12

3rd

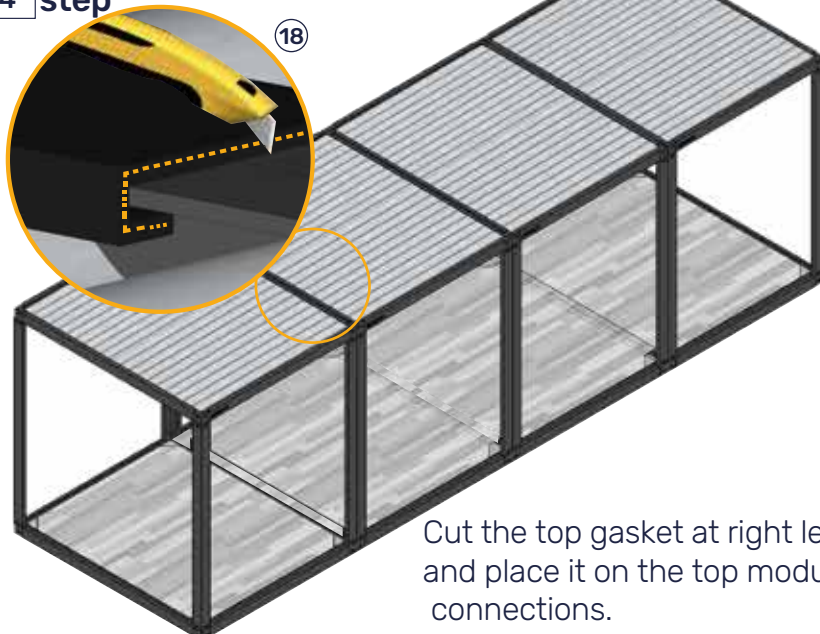
Studs M8



Connect top modules an top connection+crane plates using **M12** bolts&nuts



4th step



Cut the top gasket at right lengths and place it on the top module connections.



Correctly assembly; middle top connections

TRIMOD + **UNIMOD**
Triple Module Container 2.4m x 6m x 2.5m

Single Container 2.4m x 2m x 2.5m

ASSEMBLY



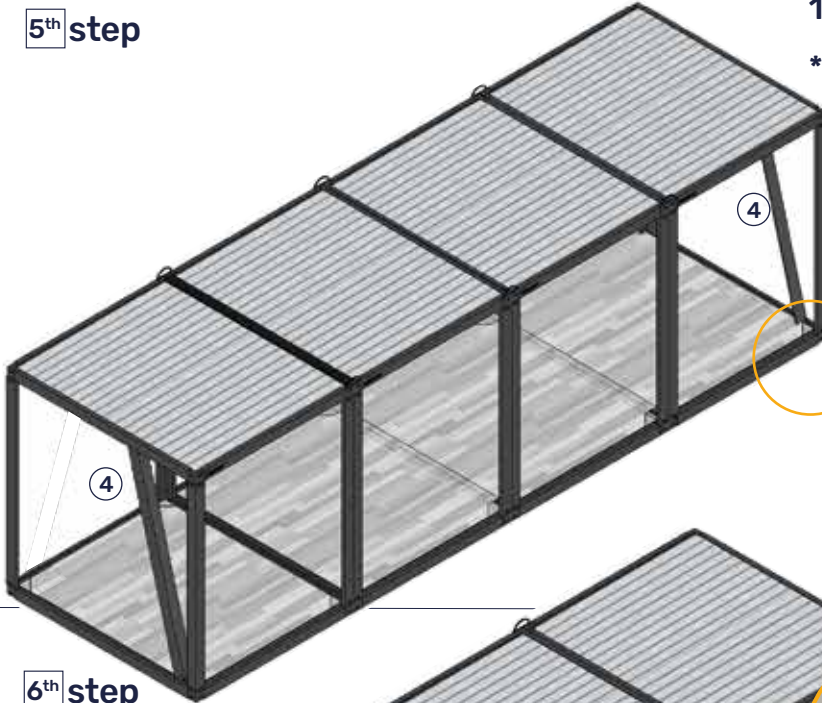
B2KON



Please scan the code for the assembly video.



5th step



1 Place "Exterior Corner Laths" interior side of the studs

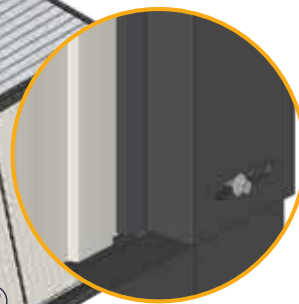
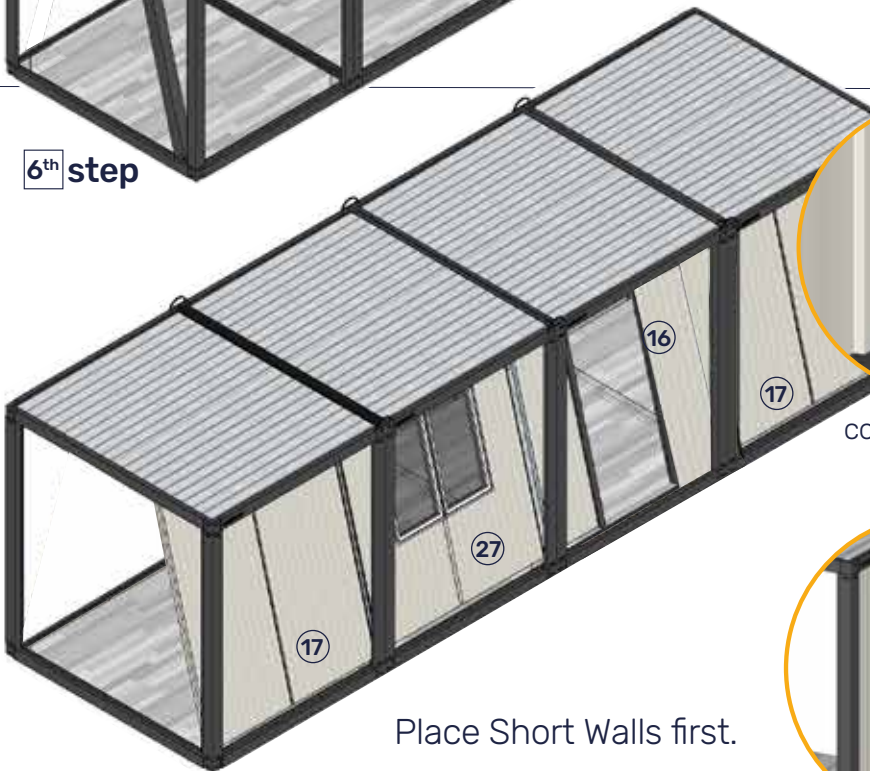
* [This assembly step does not require screws. Exterior Corner Laths will stay at place with the force applied by the walls]

FOR RIGHT LATHS CHECK PAGE 13

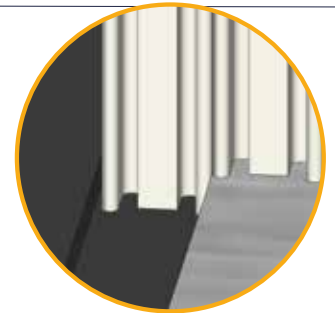
ECL 1



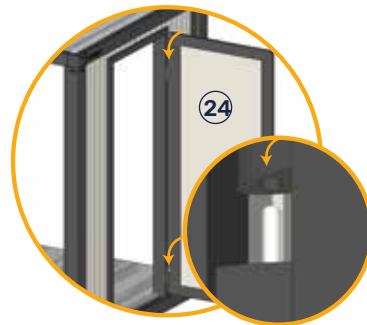
6th step



correct assembly exterior view



Tall pannels should be in the channel



At unpacking stage, disassemble door from the wall panel.

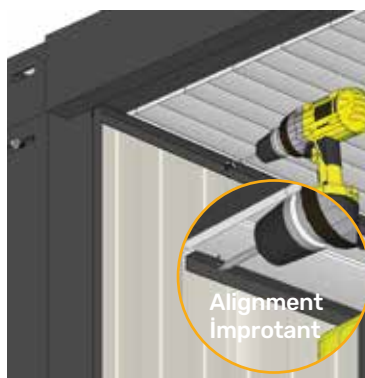
Place the wall panell with door chasis

Place the door leaf on the hinge

Place Short Walls first.



use only pre drilled holes



Alignment important

WALL + TOP LATH + WALL + TOP LATH + WALL + TOP LATH

*

Assembly top laths, apply pressure at vertical and horizontal directions. Start from center and upper screws



TRIMOD + **UNIMOD**
Triple Module Container 2.4m x 6m x 2.5m

Single Container 2.4m x 2m x 2.5m

ASSEMBLY



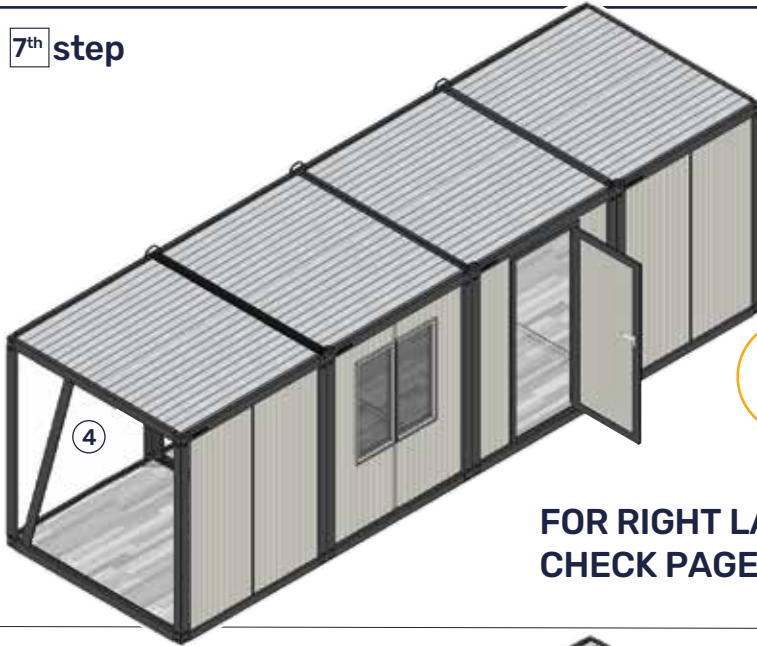
B2KON



Please scan the code for the assembly video.



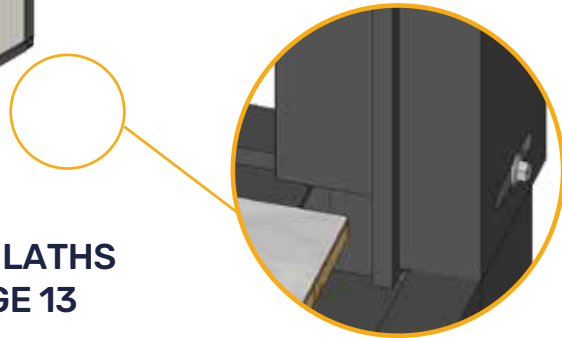
7th step



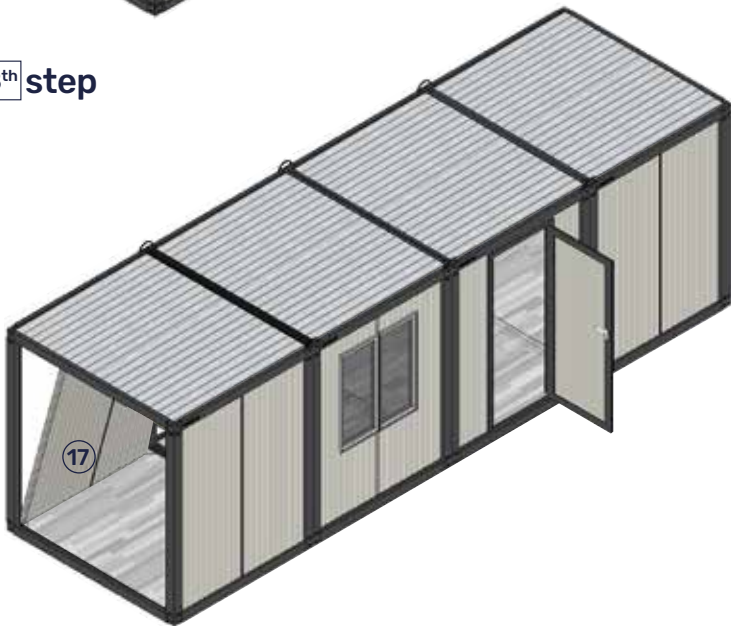
1 Place "Exterior Corner Laths" interior side of the studs

* [This assembly step does not require screws. Exterior Corner Laths will stay at place with the force applied by the walls]

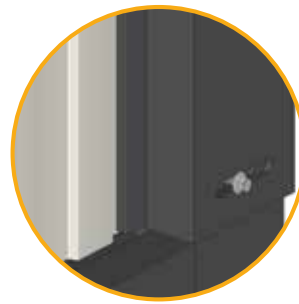
FOR RIGHT LATHS CHECK PAGE 13



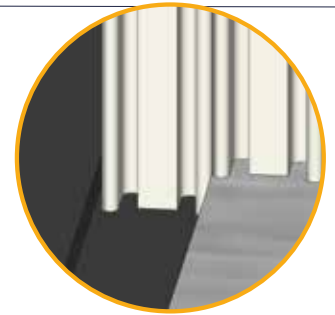
8th step



Place other Short Walls.



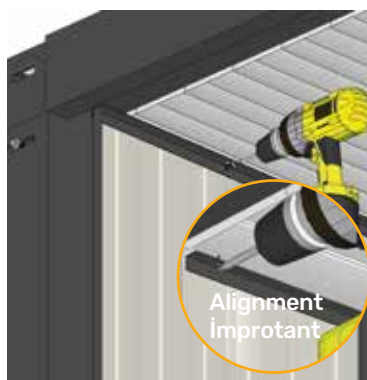
correct assembly exterior view



Tall panels should be in the channel



use only pre drilled holes



Alignment important

WALL + TOP LATH + WALL + TOP LATH + WALL + TOP LATH

*

Assembly top laths, apply pressure at vertical and horizontal directions. Start from center and upper screws



TRIMOD + **UNIMOD**
Triple Module Container *Single Container*
 2.4m x 6m x 2.5m 2.4m x 2m x 2.5m

ASSEMBLY



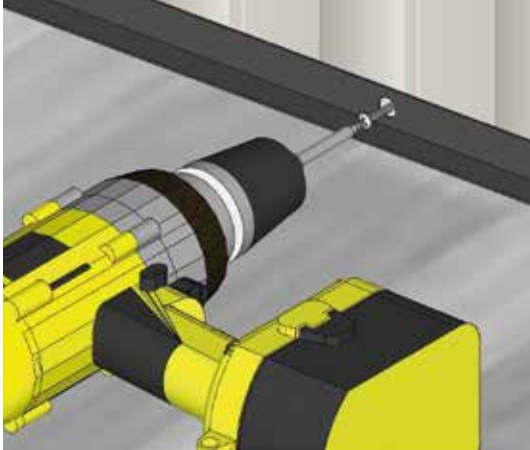
B2KON



Please scan the code for the assembly video.



9th step Assembly bottom laths, apply pressure at vertical and horizontal directions. Start from center and down side screws



start center complete all



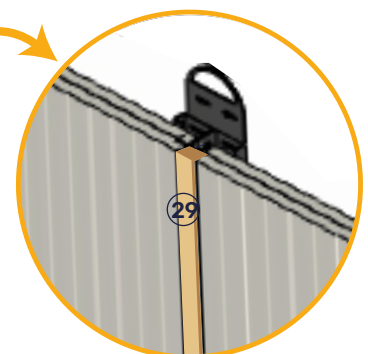
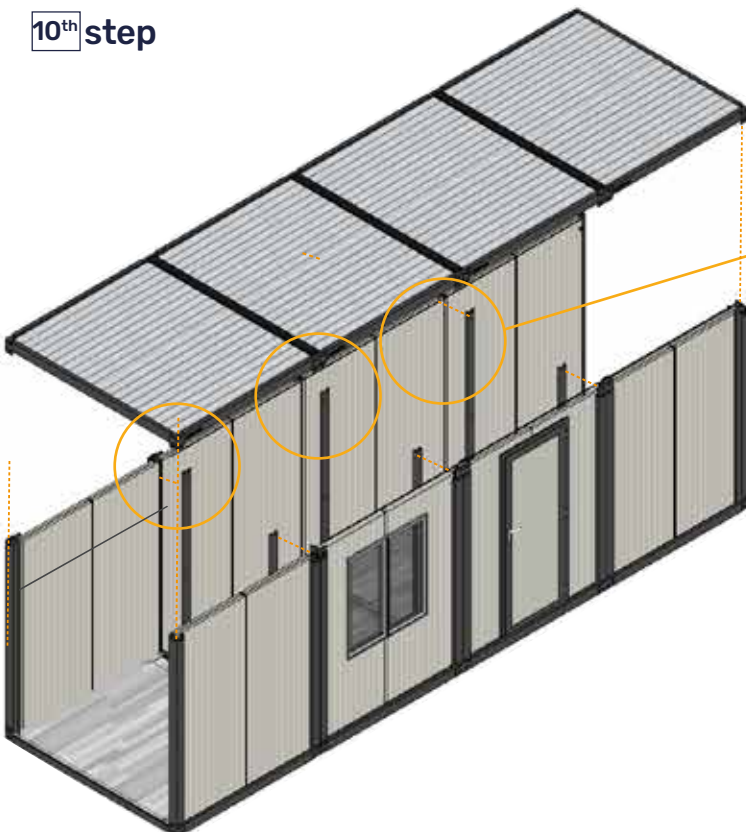
start center complete all



FOR RIGHT LATHS CHECK PAGE 13

10th step

Place Interior Wall Connection Covers with screws



- 1 Cut and Place Mineral Wool Fillers at the connection cavities.
- 2 Place Interior Wall Connection Covers with screws

use only pre drilled holes



ASSEMBLY



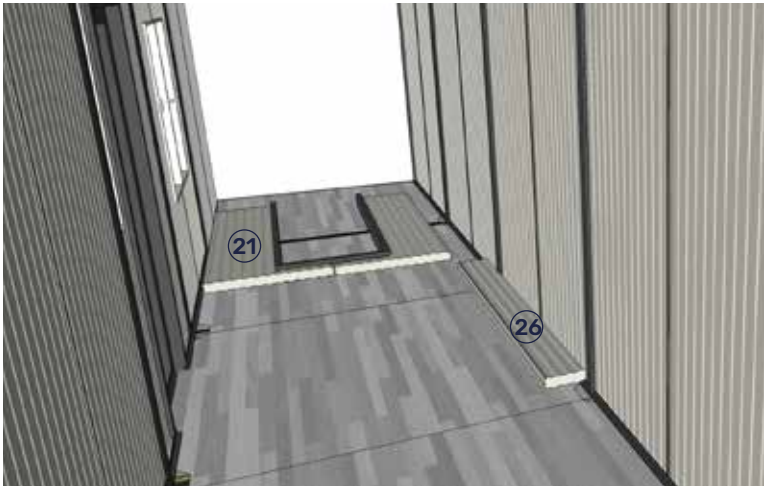
B2KON



Please scan the code for the assembly video.



11th step Interior Wall



1 Carry interior wall panels to the place



2 Place the wall's first layer into the channel with slight angle



3 While standing up the pannels with door slide down the small extesion with small angle into the panel dents



4 When the wall is close to the final place push the small extesion panel to the horizontal plane and align interior wall

5 Once small exteinsion is fitted into the dents push and place the interior wall to the final place. Assembly, top bottom laths and door leaf as described below.



Assembly top laths, apply pressure at vertical and horizontal directions. Start from center and upper screws



Assembly bottom laths, apply pressure at vertical and horizontal directions. Start from center and down side screws



TRIMOD + **UNIMOD**
Triple Module Container *Single Container*
 2.4m x 6m x 2.5m 2.4m x 2m x 2.5m

ASSEMBLY



B2KON

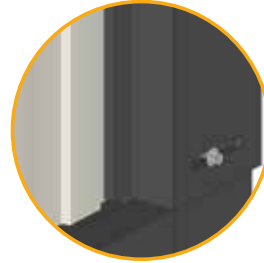
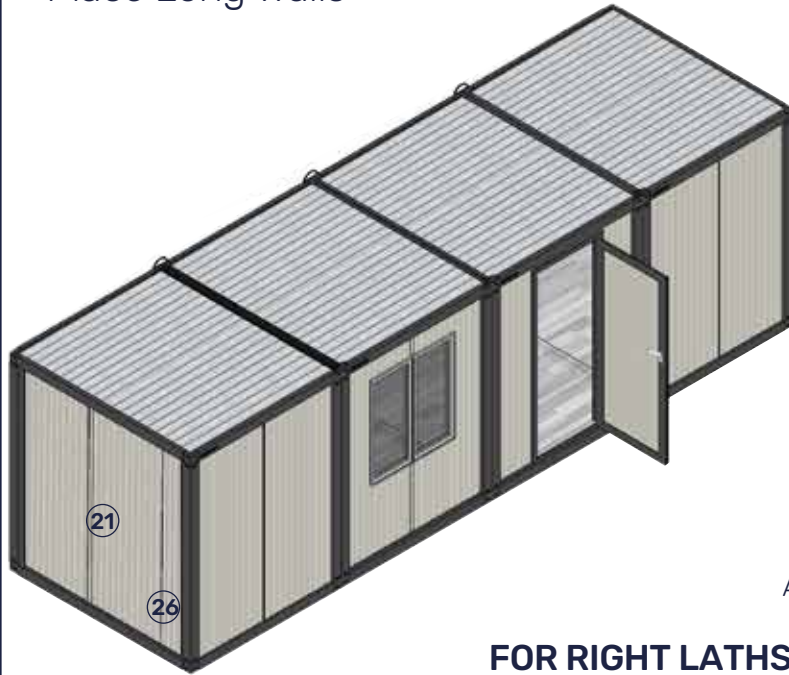


Please scan the code for the assembly video.



12th step

Place Long Walls



correct assembly exterior view



Tall panels should be in the channel



use only pre drilled holes



Alignment important

Assembly top laths, apply pressure at vertical and horizontal directions. Start from center and upper screws

FOR RIGHT LATHS CHECK PAGE 13



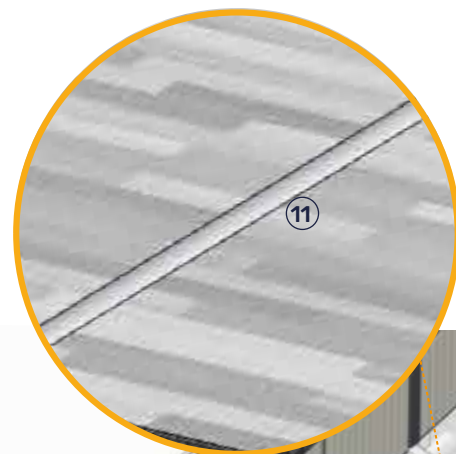
13th step Place Interior Corner Laths with screw at ever interior corner



use only pre drilled holes

8x

FOR RIGHT LATHS CHECK PAGE 13



2x

Align the floor coverings and stick floor connection covers

[Floor connection covers have adhesive tapes they do not require screw]

TRIMOD + **UNIMOD**
Triple Module Container *Single Container*
 2.4m x 6m x 2.5m 2.4m x 2m x 2.5m

ASSEMBLY



B2KON



Please scan the code for the assembly video.

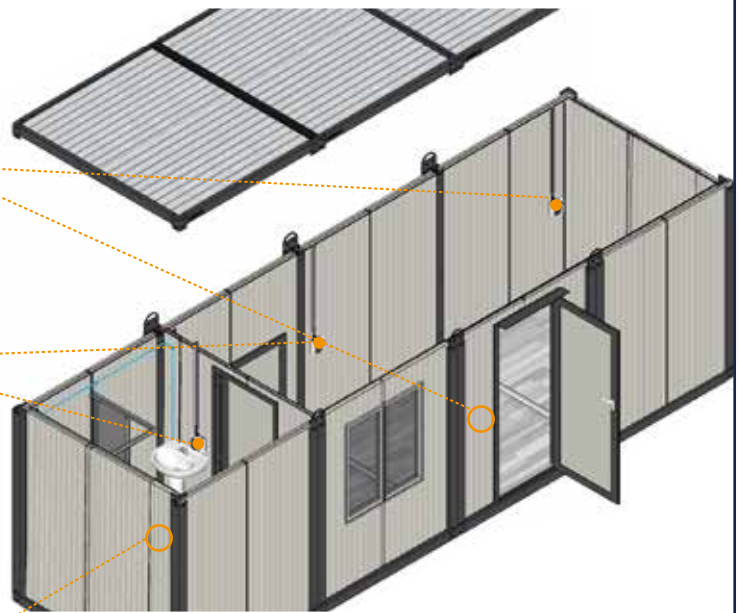
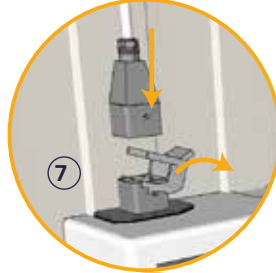
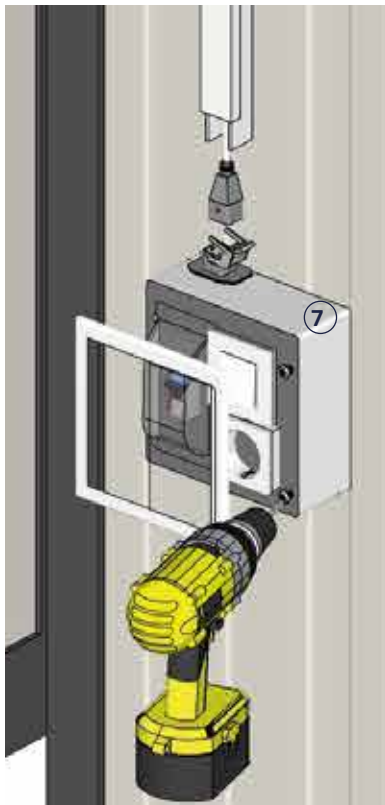


14th step

Place cable canalet
 connect the cable and electric box sockets

After everything is at right place and connected, close canalet cap
 lift socket connection piece to secure and tight the connection

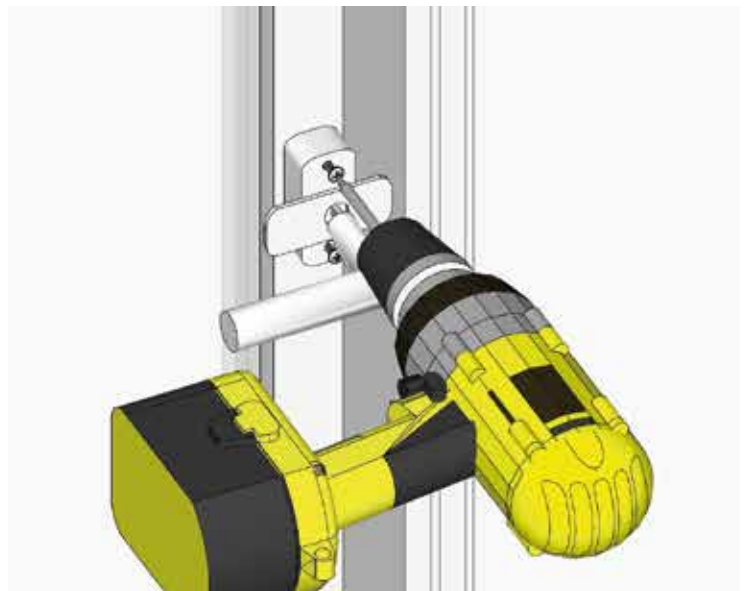
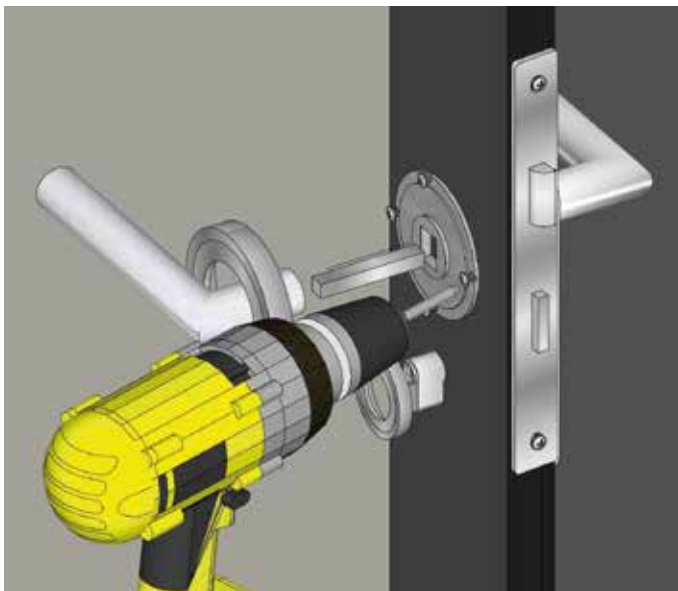
***DETAILS AT PAGE 12



15th step

Assembly door handle and lock mechanisms as shown below
 all parts are included at the package

Assembly window handle as shown below
 all parts are included at the package



TRIMOD + **UNIMOD**
Triple Module Container + *Single Container*
 2.4m x 6m x 2.5m

UNIMOD
Single Container
 2.4m x 2m x 2.5m

ASSEMBLY



B2KON



Please scan the code for the assembly video.



16th step ceiling hiding laths

to hide top module's PVC wainscot, place and screw ceiling hiding laths at the module connections on top of wainscot's ends.

1
2
3
4

use only pre drilled holes

CHL1

*** 1 start center complete all

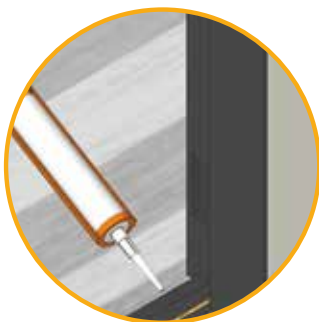
just upper direction smallest laths

FOR RIGHT LATHS CHECK PAGE 13

CHECK PAGE 13 FOR RIGHT LATHS

17th step Sealant Application

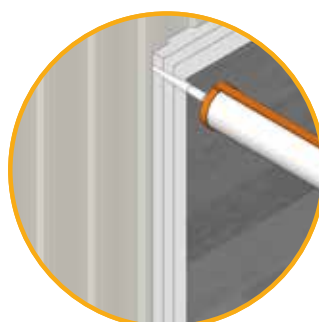
To enhance watertightness of the structure please apply provided sealant at these connection points



Interior bottom side of the entrance doors



Studs connection's exterior faces



Exterior faces of window sills



Top connection side of Door Rain Cover

TRIMOD + UNIMOD
Triple Module Container | *Single Container*
 2,4m x 6m x 2,5m | 2,4m x 2m x 2,5m

ASSEMBLY



B2KON

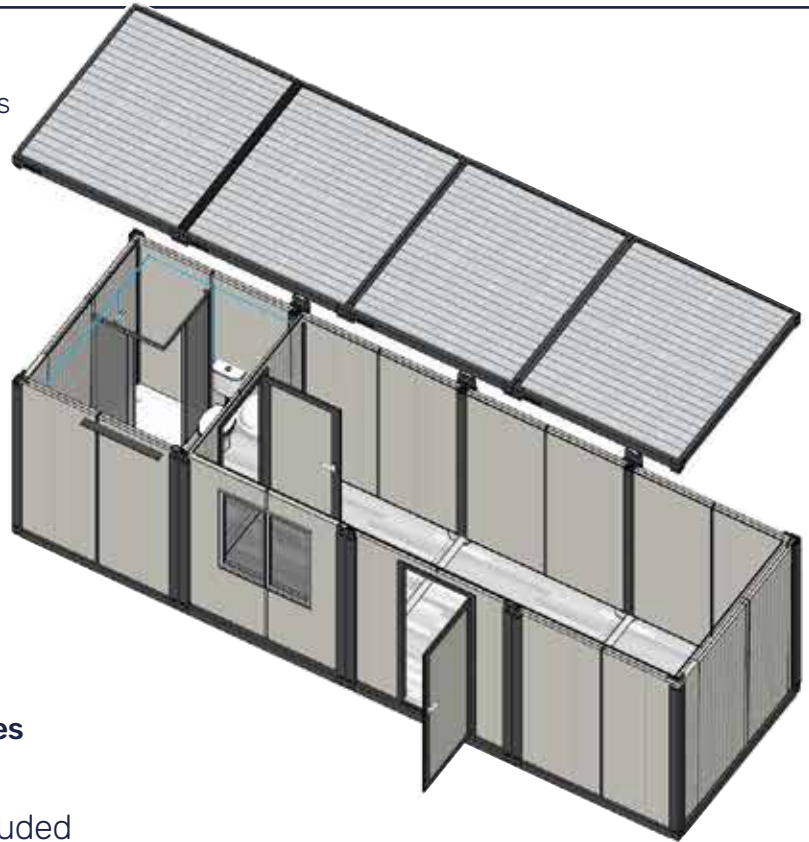


Please scan the code for the assembly video.



18th step

Place door rain cover assembly at the place with screws



19th step Plumbing System and Fixtures

All wc, sink and suitable equipments are included at the package.

[At this assembly stage we recomend getting a professional service to have healty, long lasting and safe plumbing system and sanitary cabinet.]





ASSEMBLY



B2KON



Please scan the code for the assembly video.



ELECTRICAL CONNECTION DETAILS

TRIMOD + UNIMOD
2.4m x 6m x 2.5m 2.4m x 2m x 2.5m

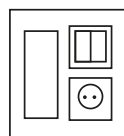
- A/C
- LIGHT SWITCH
- WALL PLUG

ELECTRIC BOX
LABOR DORM 1/17

7-1

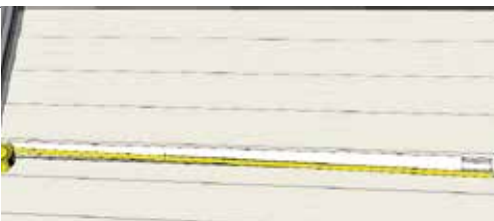
1 Choose the right "Electric Box"

Choose the right electric box as shown at the label. At the labels on top of the electrical boxes, places, and accessories of the boxes are described. The marked black box indicates the right place and box combination you need.



2 Set the correct Height & Place the box

Cable lengths are provided longer at the production stage. Set your optimal height for the assembly. Place the electric box on the wall as shown at the picture using provided screws.



3 Measure the Cable Canalet & Place

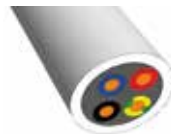
Cable canalets are provided longer at than you need for the assembly stage. Measure and cut at the length you want. Place the canalet at the line that you want to connect. Screw canalets to the walls

***4 Cable Works & Connection

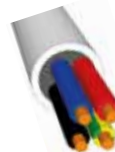
*MEASURE



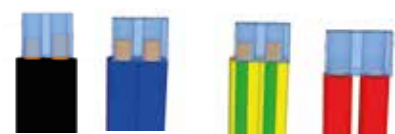
**CUT



***STRIP



****CONNECT



Measure the top module's cable, cut the wire at the desired length. Strip the cable and inlays to prepare them to connection. Connect inlays with each other. **Only connect the wires with same color**

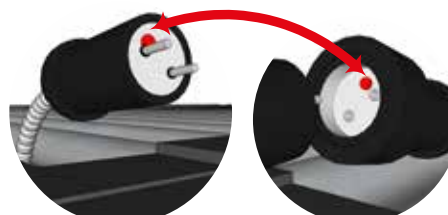


MAIN ELECTRIC IN LINE

Carefully connect cables to female adaptors. (Provided inside electric box package)

Make sure that symbols and indicators are lined correctly.

INTERNAL CONNECTION



Phases are marked with **RED** dots.

Connect phase sides to each other



TRIMOD + UNIMOD
Triple Module Container 2.4m x 6m x 2.5m

Single Container 2.4m x 2m x 2.5m

ASSEMBLY



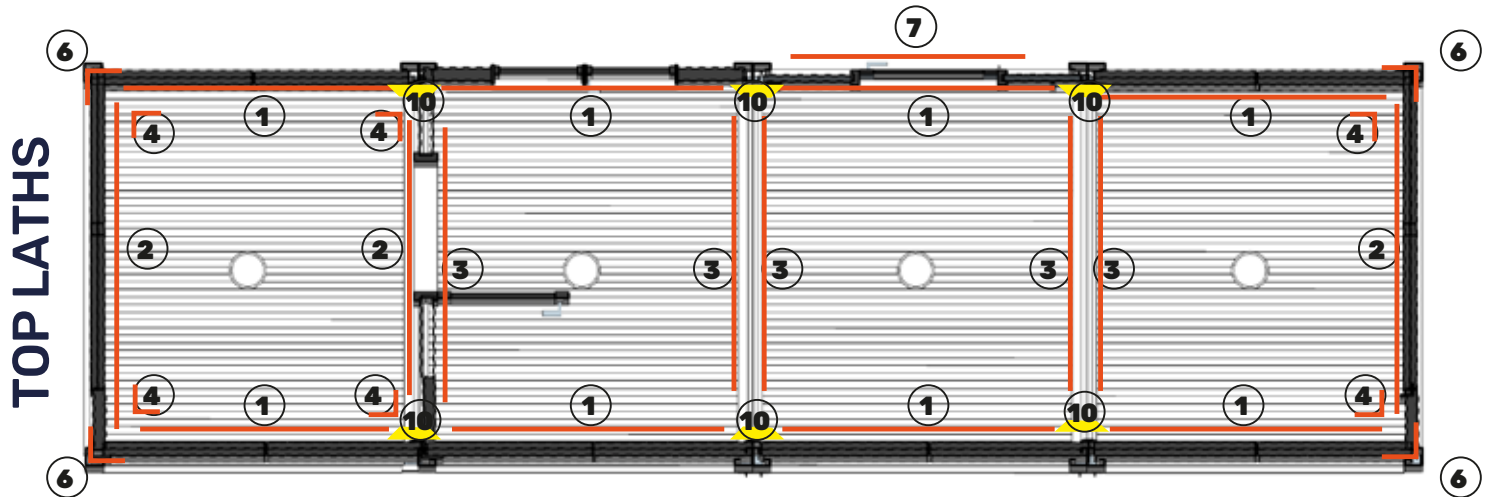
B2KON



Please scan the code for the assembly video.



LATHS & DESCRIPTIONS



TOP SHORT LATH

1



TOP LONG LATH

2



CEILING HIDING LATH

3



INTERIOR CORNER LATH

4



INTERIOR WALL CONNECTION COVER

10



EXTERIOR CORNER LATH

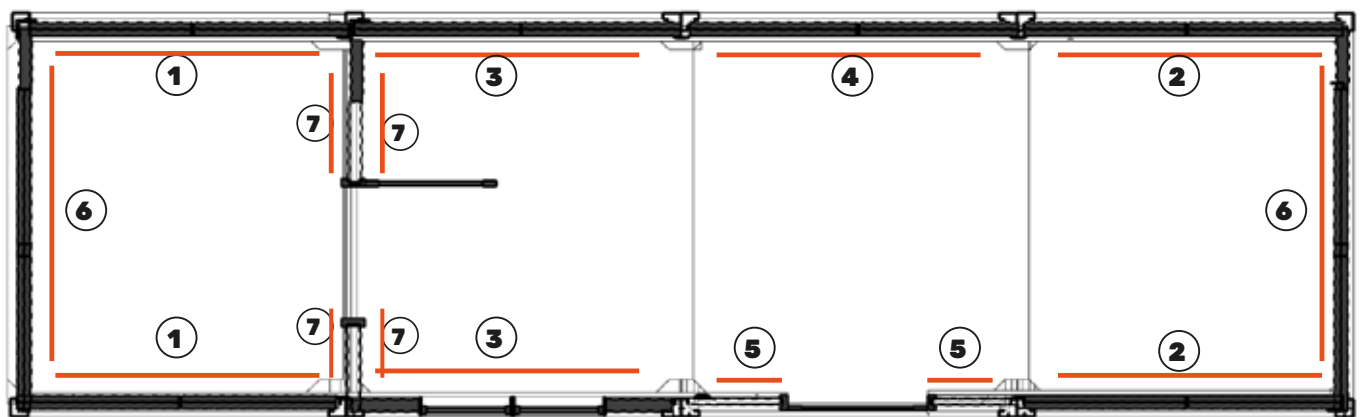
6



DOOR RAIN COVER

7

BOTTOM LATHS



BOTTOM INTERIOR SHORT LATH

1



BOTTOM FAR SHORT WALL LATH

2



BOTTOM MIDDLE SHORT WALL LATH

3



BOTTOM OPPOSITE DOOR LATH

4



BOTTOM EXTERIOR DOOR LATH

5



BOTTOM LONG WALL LATH

6



BOTTOM INTERIOR DOOR LATH

7